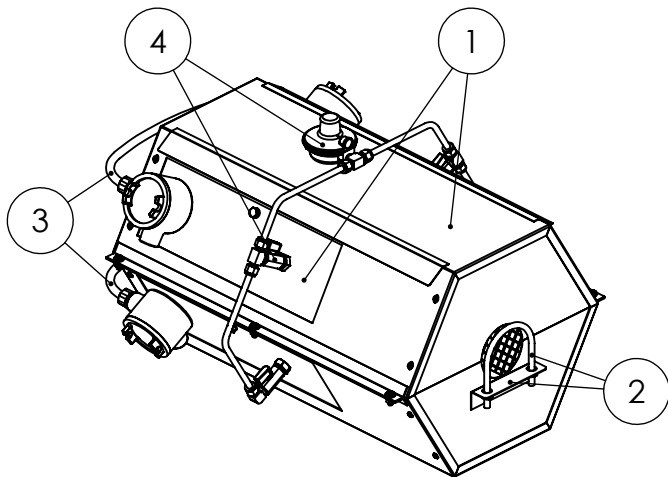
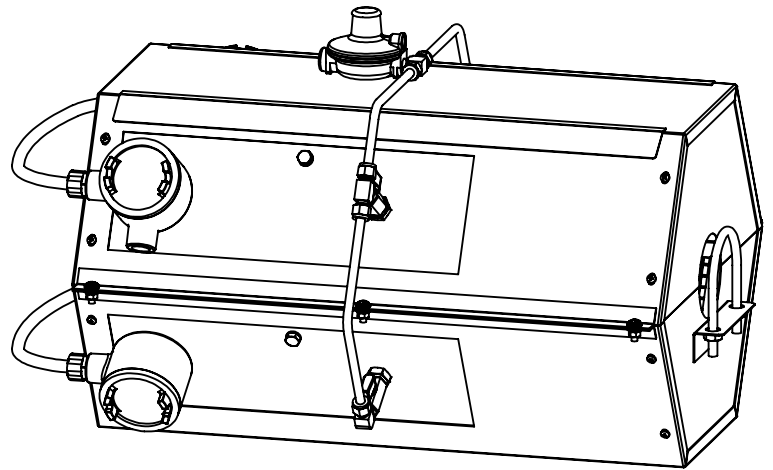




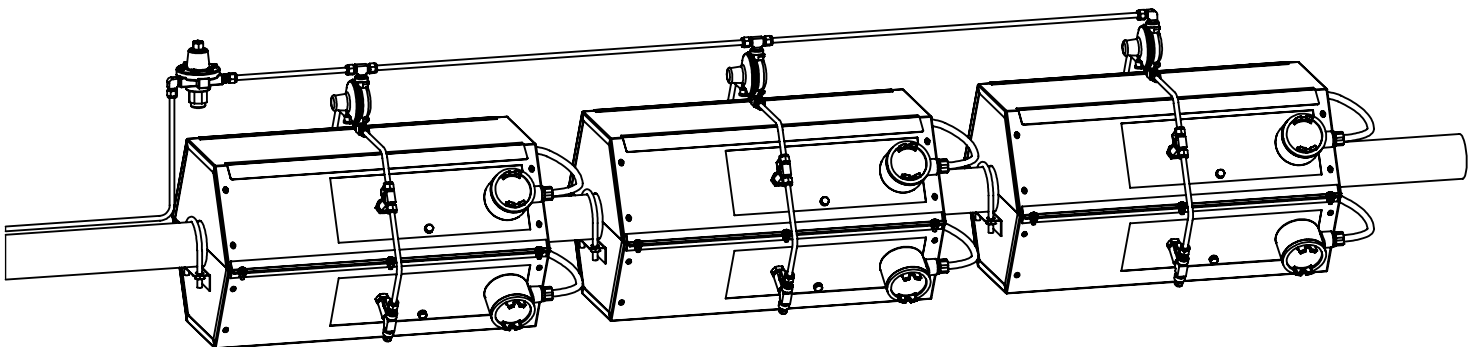
71-502 SERIES PIPELINE PACKS are easily installed on an existing 1"-6" pipe and are used for various natural gas production, compression, and distribution applications.

Each 71-502 pipeline pack is rated for 24,000 BTU/hr, and it's common for multiple 71-502s to be used in series for higher heat load requirements.



ALL 71-502 PIPELINE PACKS INCLUDE:

1. Stainless steel enclosure with four 6000 BTU catalytic heaters for a total unit rating of 24,000 BTU/hr.
2. U-bolts for simple installation to an existing 1"-6" pipe.
3. All necessary starting cables.
4. Fuel gas manifold consisting of a low pressure fuel gas regulator, stainless steel tubing and fittings, and ball valves to control fuel to each individual 6x24 catalytic heater.



THREE 71-502 PIPELINE PACKS INSTALLED IN SERIES



71-502 - -20

PIPE SIZE:

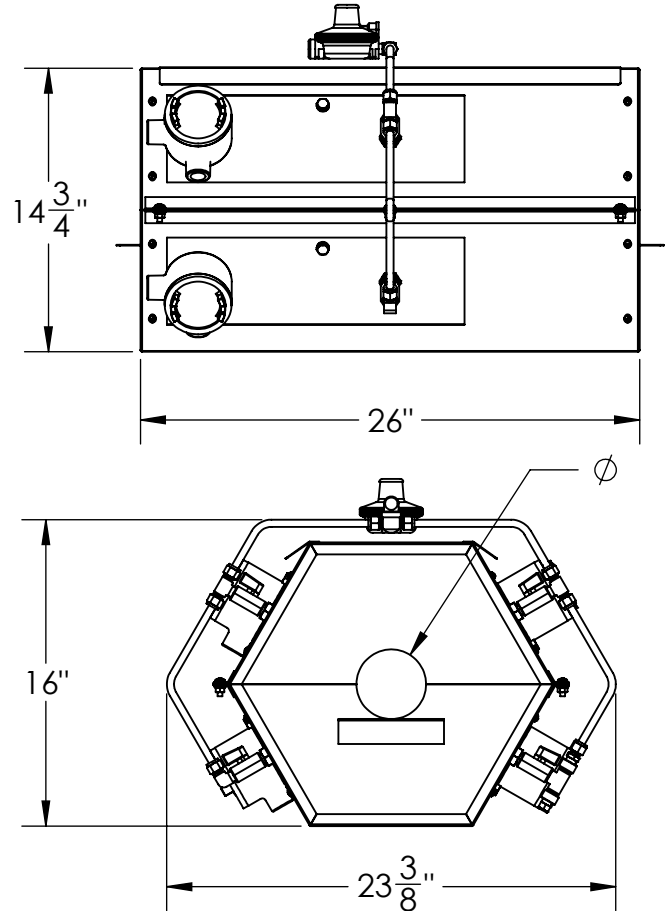
- A** = 1" pipe
- B** = 2" pipe
- C** = 3" pipe
- D** = 4" pipe
- E** = 6" pipe

STARTING VOLTAGE:

- 1** = 12 V start
- 3** = 120 V start

HEATER CONFIGURATION:

-20 configuration heaters are Canam's most commonly recommended units for outdoor applications. Contact Canam for information on choosing the right heater configuration for your application.



SPECIFICATIONS

	NOMINAL PIPE SIZE	∅	STARTING VOLTAGE	STARTING AMPS*	APPROX. WEIGHT
	1"	1.500"	12 V	33.4 A	68 lbs
	2"	2.500"			
	3"	3.625"			
	4"	4.625"			
	6"	6.750"			
	1"	1.500"	120 V	3.8 A	
	2"	2.500"			
	3"	3.625"			
	4"	4.625"			
	6"	6.750"			

* Starting amperage indicated is for a pair of 6x24 catalytic heaters started simultaneously.