



~est. 1990
CANAM
 pipe & supply



EX SERIES
Caliber™

XET1-1-E-A

Electronic Explosion-Proof Room Thermostat For Hazardous Locations

CE 0518 Ex II 2G Ex db IIB+H₂ T6 Gb (ATEX)
 Ex db IIB+H₂ T6 Gb (IECEX)
 1ExdIIBT6 /H₂ (EAC Ex)
 -50°C ≤ T amb ≤ +40°C, IP66
 (Gas Atmosphere Certified for ATEX / IECEX / EAC Ex Zone 1 and 2)

CE 0518 Ex II 2D Ex tb IIIC T85°C Db (ATEX)
 Ex tb IIIC T85°C Db (IECEX)
 Ex tb IIIC T85°C Db X (EAC Ex)
 -50°C ≤ T amb ≤ +40°C, IP66
 (Dust Atmosphere Certified for ATEX / IECEX / EAC Ex Zone 21 and 22)

For hazardous-location air temperature control rely on the **Hazloc Heaters™ XET1 ExCaliber™** series of electronic explosion-proof thermostats for the most dependable, accurate, robust and trouble-free service available.

Features & benefits include:

- Bolted, removable cover provides instant access for installation and servicing.
- Dial locking screw prevents unwanted adjustments.
- Aluminum and 304 stainless steel construction with no exposed copper or brass provides suitability for H₂S environments.
- IP66 rating for moisture/dust protection.
- CFC & mercury free, no leveling required.
- Contact-free switching mechanism is not susceptible to wear.
- Fast-acting, accurate, reliable electronic temperature sensor, with protective shield, is unaffected by altitude.
- Completely sealed design is ideal for dusty environments.
- Vibration resistant design prevents set-point drift.
- Two (3/4" NPT) openings for easy field wiring (includes one 3/4" plug).
- Third party impact testing ensures durability.
- Non-orientation sensitivity allows for mounting in any position.
- Low profile design allows easy access in confined spaces.
- EMC compliance guarantees no nuisance tripping.

Typical Applications:

- Unit heaters & convection heaters

Protection Method:

- ATEX/IECEX:
 - General requirements IEC/EN 60079-0
 - Flameproof IEC/EN 60079-1
 - Dust ignition proof IEC/EN 60079-31
- EAC Ex:
 - Hazardous location TR CU 012/2011
 - EMC TR CU 020/2011
- Ingress protection: IEC 60529

The **XET1** electronic thermostat is also available as a built-in option on all sizes of **Hazloc Heaters™ AEU1** explosion-proof electric air heaters.



Dial locking screw



Specifications: (heating applications only)

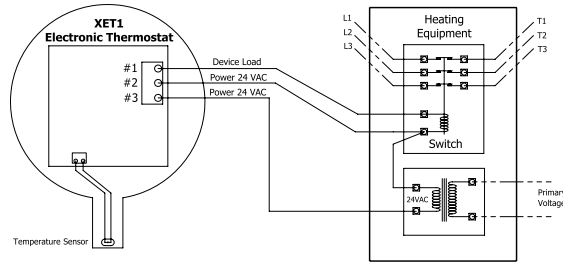
Temperature adjustment range: 5°C to 25°C (40°F to 80°F)
 Temperature differential: +/- 1°C from set point
 Operating limits: -50°C ≤ T amb ≤ +40°C
 Storage limits: -50°C to +60°C
 Switching: Electronic
 Field wiring openings: Two 3/4" NPT (includes one 3/4" plug)
 IP rating: IP66
 Net weight: 1.4 Kg
 Ship weight: 1.5 Kg
 Shipping dimensions: 12.7 cm x 12.7 cm x 17.8 cm

Electrical rating:

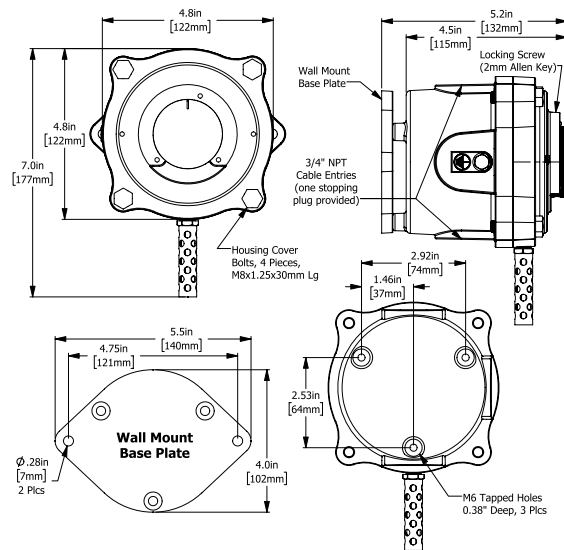
24VAC 50/60Hz; 1 Amp max continuous

Model: XET1-1-E-A

**Wiring diagram:
24VAC required**



Physical dimensions:



Limited 36-Month Warranty

Hazloc Heaters™ warrants all **XET1 ExCaliber™** series of electronic explosion-proof thermostats against defects in materials and workmanship under normal conditions of use for a period of thirty-six (36) months from date of purchase based on the following terms:

1. The thermostat must not be modified in any way.
2. The thermostat must be stored, installed and used only in accordance with the owner's manual and attached data plate information.
3. The complete thermostat may be returned to our manufacturing plant for repair or replacement (at our discretion), freight charges prepaid.
4. Contamination by dirt, dust, etc. or corrosion will not be considered as defects.
5. This warranty shall be limited to the actual equipment involved and, under no circumstances, shall include or extend to installation or removal costs, or to consequential damages or losses.

Exclusive Representative

For additional information or to order contact Canam Pipe & Supply with the link below.

canam@canamservices.com



www.canamservices.com