



CANAM
pipe & supply

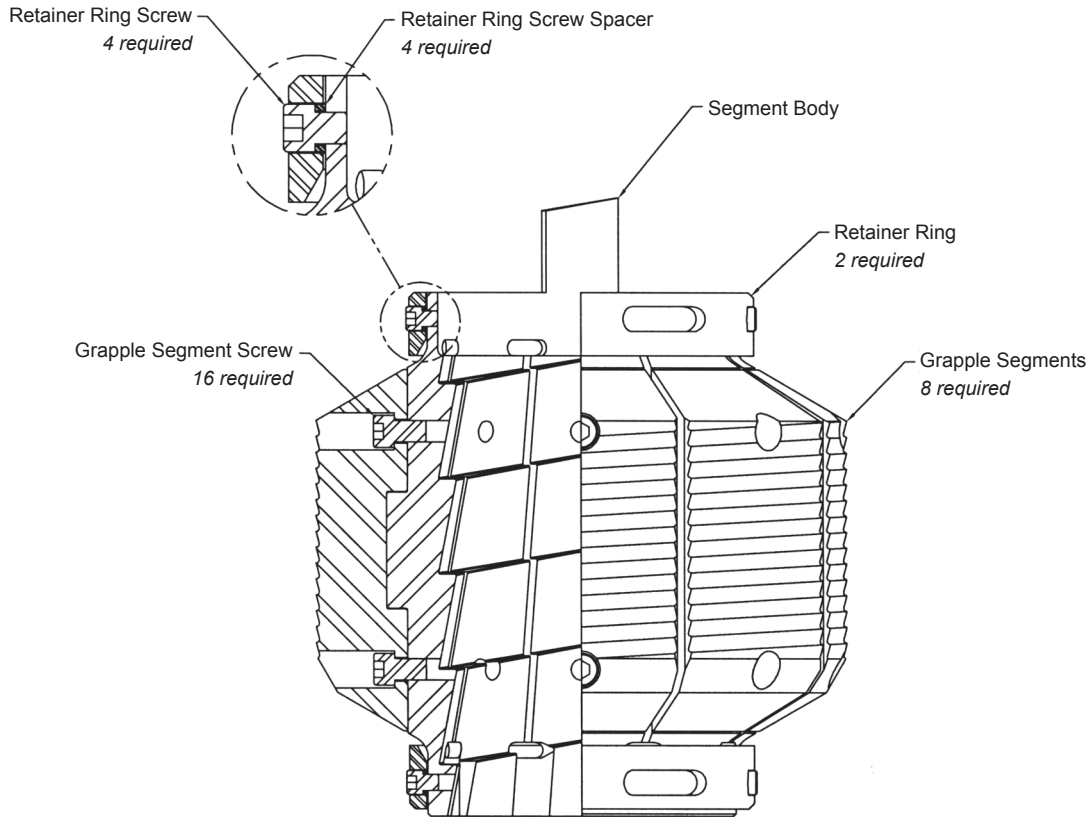
~est. 1990

SEGMENTED SPEAR GRAPPLE ASSEMBLIES

SEGMENTED SPEAR GRAPPLE ASSEMBLIES

Overview

The segment-type spear grapple enhances the spear's usefulness by providing an extended catching range beyond the maximum range of the standard one-piece grapple. The Segment-Type Spear Grapple consists of a grapple body, eight grapple segments, two retainer rings, six retainer ring screws, six retainer ring spacers, and sixteen grapple segment screws.





SEGMENTED SPEAR GRAPPLE ASSEMBLIES

SEGMENTED SPEAR GRAPPLE ASSEMBLIES

		202-025				202-018			
Bowen No.		9380				17243			
CATCH SIZE (PIPE SIZE)		10-3/4	11-3/4	12-3/4	13-3/8	10-3/4	11-3/4	12-3/4	13-3/8
PIPE WEIGHT		32.75	38.00	45.45	48.00	32.75	38.00	45.45	48.60
		48.00	54.00	66.72	68.00	48.00	54.00	66.72	68.00
		40.00	47.00	...	61.00	40.00	47.00	...	61.00
		55.50	60.00	...	85.00	55.50	60.00	...	85.00
COMPLETE ASSEMBLY		205-000				205-001			
Bowen No.		9382				17245			
GRAPPLE BODY		F3029-A				F3030-A			
Bowen No.		9382-A				17245-A			
GRAPPLE SEGMENT		F3029-B				F3030-B			
(8 per set) Bowen No.		9382-B				17245-B			
SEGMENT SCREW		T3000				T3000			
Bowen No.		12198				12198			
No. Req'd		16				16			
RETAINER RING		T4000				T4000			
Bowen No.		56855				56855			
No. Req'd		2				2			
RETAINER RING SCREW		T5000				T5000			
Bowen No.		23535				23535			
No. Req'd		4				4			
RETAINER RING SCREW SPACER		T6000				T6000			
Bowen No.		56979				56979			
No. Req'd		4				4			

		202-019						202-020			
Bowen No.		9281						17246			
CATCH SIZE (PIPE SIZE)		13-3/8	14	16	18-5/8	20	13-3/8	14	16	18-5/8	20
PIPE WEIGHT		48.00	42.00	55.00	90.00	90.00	48.00	42.00	55.00	...	90.00
		68.00	57.00	65.00	106.50	94.00	68.00	57.00	65.00	...	94.00
		61.00	...	84.00	...	106.00	61.00	...	84.00	...	133.00
		85.00	...	109.00	...	133.00	85.00
COMPLETE ASSEMBLY L		205-002						205-003			
Bowen No.		9283						17248			
GRAPPLE BODY		F3032-A						F3034-A			
Bowen No.		9283-A						17248-A			
GRAPPLE SEGMENT		F3032-B						F3034-B			
(8 per set) Bowen No.		9283-B						17248-B			
SEGMENT SCREW		T3001						T3001			
Bowen No.		23020						23020			
No. Req'd		16						16			
RETAINER RING		T4001						T4001			
Bowen No.		56409						56409			
No. Req'd		2						2			
RETAINER RING SCREW		T5001						T5001			
Bowen No.		56813						56813			
No. Req'd		4						4			
RETAINER RING SCREW SPACER		T6000						T6000			
Bowen No.		56979						56979			
No. Req'd		4						4			



CANAM ~est. 1990
pipe & supply

SEGMENTED SPEAR GRAPPLE ASSEMBLIES

SEGMENTED SPEAR GRAPPLE ASSEMBLIES

		202-021	
	Bowen No.	27780	
CATCH SIZE (PIPE SIZE)	16	18-5/8	20
PIPE WEIGHT	55.00	...	90.00
	65.00	...	94.00
	84.00	...	133.00
COMPLETE ASSEMBLY		205-004	
	Bowen No.	27782	
GRAPPLE BODY		F3035-A	
	Bowen No.	27782A	
GRAPPLE SEGMENT		F3035-B	
<i>(8 per set)</i>	Bowen No.	27782B	
SEGMENT SCREW		T3002	
	Bowen No.	12019	
	No. Req'd	16	
RETAINER RING		T4002	
	Bowen No.	56858	
	No. Req'd	2	
RETAINER RING SCREW		T5002	
	Bowen No.	56859	
	No. Req'd	4	
RETAINER RING SCREW SPACER		T6000	
	Bowen No.	56979	
	No. Req'd	4	