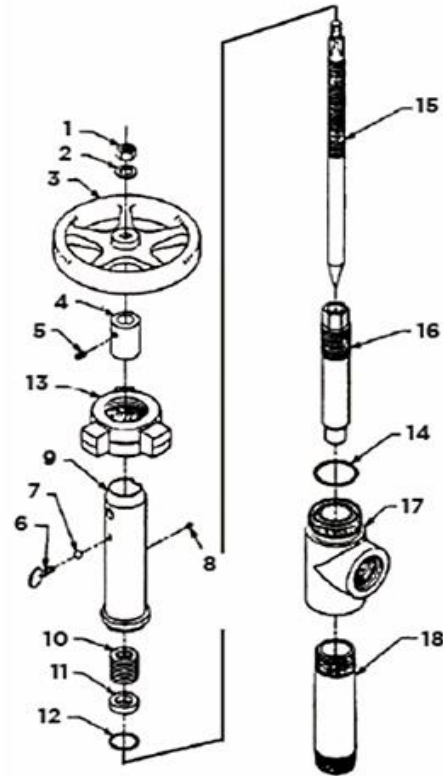


Description

3/4" G-N60 Adjustable Choke, 3-5,000 PSI

The G-N60 chokes are designed to reliably control the flow rate of fluids discharged from a well.

These chokes are available in Adjustable (stem & seat) or Positive (fixed bean) configurations, can be easily converted from adjustable to positive or vice versa, and are available with various end connections.



Specifications

#	Description	Part Number	#	Description	Part Number
	3/4" G-N60 Adjustable Assembly HS		11	Junk Ring, Brass	CB103262
	3/4" G-N60 Adjustable Assembly SS/TC		11a	Junk Ring, \$\$	CB103220
1	Stem Nut	CB101210	12	Retainer Ring, Tru-Arc	CB103410
2	Washer	CB101410	13	Wing Nut	CB103610
3	Handwheel	CB101610	14	"O" Ring	CB103865
4	Indicator 3/4" Nylon	CB071863	15	Stem, Hardened Steel	CB074010
4a	Indicator 3/4" Aluminum	CB071873	15a	Stem, SS/TC	CB074040
5	Set Screw, Indicator	CB102010	16	Seat, Hardened Steel	CB074210
6	Thumb Screw	CB102310	16a	Seat, SS/TC	CB074240
7	Nylon Ball	CB102463	17	Body, 2' 3-5k PSI LP x LP	CB104410
8	Grease Fitting	CB102610	17a	Body, 2 1/16" 5k FLG x LP	CB104610
9	Bonnet Only	CB102810	18	Cage Nipple	CB104810
10	Stem Packing	CB103060		Bonnet Assembly HS (1-15)	CB105010
10a	Stem Packing, TFE	CB103061		Bonnet Assembly SS/TC (1-15)	CB105040