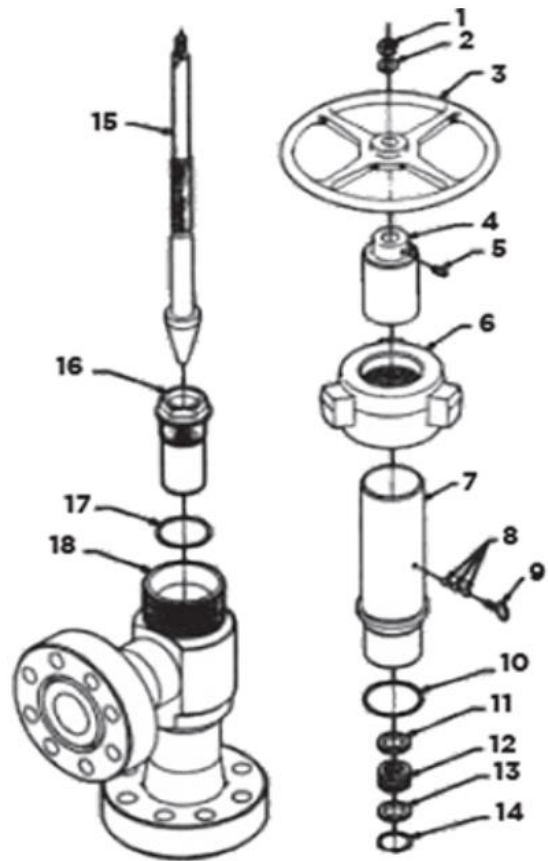


Description

1" G-H2 Adjustable Choke

The G-H2 chokes are designed to reliably control the flow rate of fluids discharged from a well.

These chokes are available in Adjustable (stem & seat) or Positive (fixed bean) configurations, can be easily converted from adjustable to positive or vice versa, and are available with various end connections.



Specifications

#	Description	Part Number	#	Description	Part Number
1	Hex Nut	CF151210	12	U-Packing H2S	CF153061
2	Washer	CF151410	13	Junk Ring, SS	CF153220
3	Handwheel	CF151610	14	Packing Ring	CF153420
4	Indicator	CF151863	15a	Stem, HS	CF104010
5	Set Screw	CF152010	15b	Stem, SS/TC	CF104040
6	Wing Nut	CF103610	16a	Seat, 2.1"	CF104110
7	Bonnet	CF102810	16b	Seat, 2.1". SS/TC	CF104140
8	Brass Plugs	CF156062	16c	Seat, 6.1", HS	CF104210
9	Thumb Screw	CF152210	16d	Seat, 6.1", SS/TC	CF104240
10	O Ring	CF103865	17	Gasket	CF156220
11	Junk Ring, SS	CF153220	18	Bean Wrench	CF109010