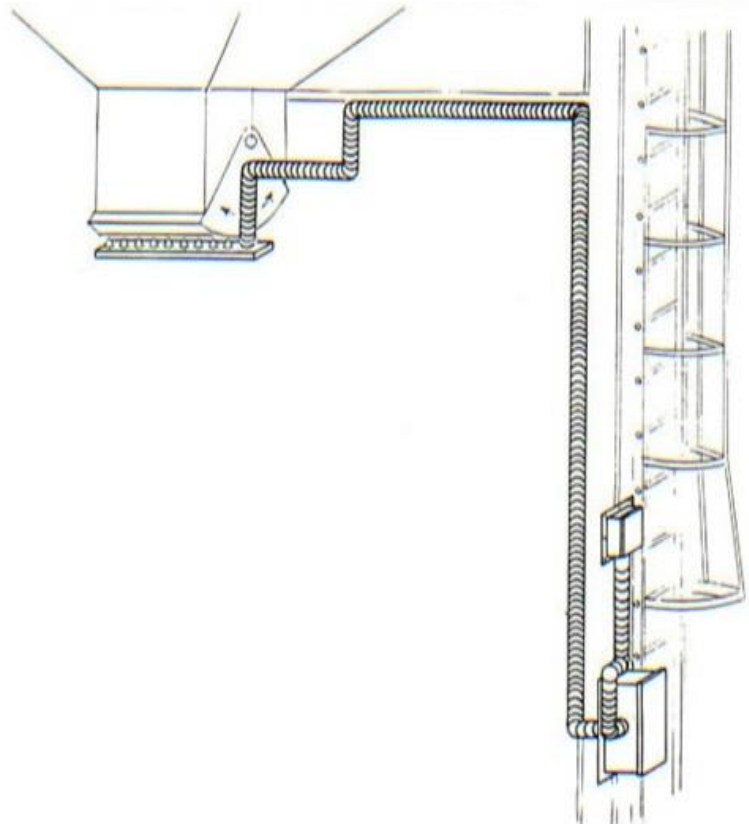
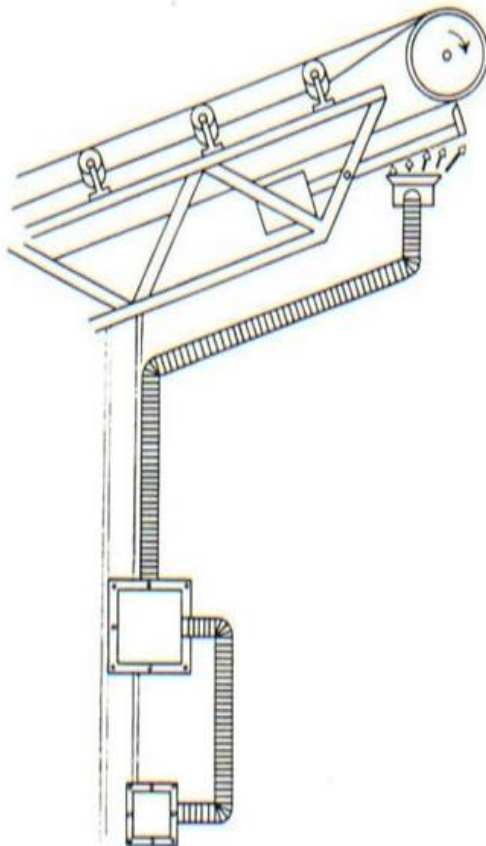


Description

This unit utilizes a remote combustion chamber to de-ice a clamshell gate that is used to load materials onto trucks. The combustion chamber is rigidly attached to the gate and is allowed to swing with it by means of the flexible tube that carries the fuel, air, and electrical requirements. This unit is shown heating a belt scraper. The bottom of the remote combustion chamber is open to eliminate material accumulation.



Model D





Installation

Drive Roll Slippage Model D

*Typical Installation
Model D*

