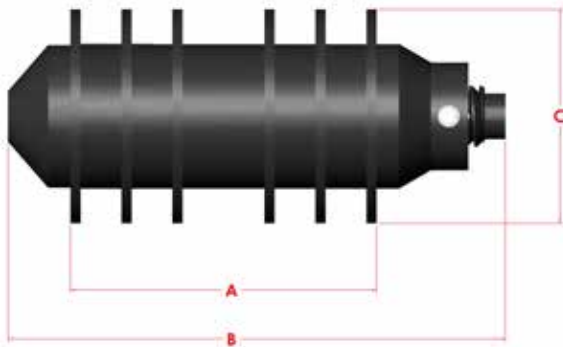


ALL URETHANE

VERSI III - solid cast

6-20" (152-508mm)

The Apache Versi III is a bi-directional, all-urethane, durable and economical pipeline pig. Designed for versatility, it can easily be adapted for cleaning, batching, or displacement operations. The flexibility of the solid urethane shaft means even wear of the sealing elements, an inherent problem with heavy steel mandrel shafts.



| Size | A | B | C | Part # |
|------|--------|--------|--------|----------|
| 6" | 9.250 | 15.393 | 6.375 | 73055306 |
| 8" | 12.000 | 19.885 | 8.375 | 73055308 |
| 10" | 15.000 | 24.364 | 10.500 | 73055310 |
| 12" | 17.500 | 27.669 | 12.500 | 73055312 |
| 14" | 21.250 | 30.763 | 13.875 | 73055314 |
| 16" | 24.000 | 36.111 | 15.875 | 73055316 |
| 20" | 29.750 | 43.065 | 20.000 | 73055320 |

Features:

- No metal parts to bend, corrode or damage pipe lining.
- Remove and replace only worn parts instead of entire assembly.
- Customize configurations to suit application.
- All cups and discs are manufactured from proprietary Reliathane.
- Light-weight.

Options:

- Configure with any combination of cups and discs.
- Circular flat carbon steel, stainless, or plastic brushes.
- Available in different durometers and materials.