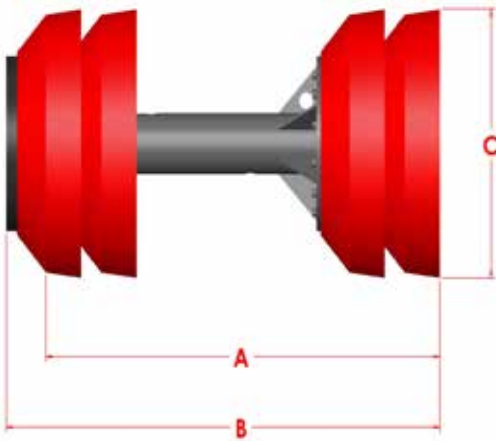


CONICAL CUP

UM4

16-48" (406-1219mm)

The basic four cup series UM pigs are generally used for batching of dissimilar fluids and are typically used for longer distance applications. The UM series is available in three versions. The four cup design of this pig provides a positive seal between fluid interfaces and is widely used for light cleaning of pipelines or batching/separation operations.



Size	A	B	C	Weight	Part #
16"	29.000	32.125	15.875	115	70580416
20"	35.750	39.375	20.000	191	70580420
22"	41.000	44.875	22.000	257	70580422
24"	43.500	47.875	24.000	301	70580424
30"	54.250	59.375	29.875	498	70580430
36"	64.625	71.125	36.000	751	70580436
42"	78.500	85.750	42.000	1118	70580442
48"	84.875	93.250	48.000	1338	70580448

Features:

UM pigs are equipped with Apache Series M cups manufactured from high quality Reliathane. The large wear surface of the cup promotes longer life while the product pressure keeps the cutting edge firm against the pipe wall. Standard bumper noses prevent damage to both the pig and in-line auxiliary equipment. All Apache 16"-48" pigs are manufactured with by-pass ports. The ports have threaded plugs that can be removed if by-pass is required.

Options:

- Transmitter cavity for electronic tracking equipment.
- Aluminum or steel gauging plates are available in either slotted or standard styles.
- Magnets available.