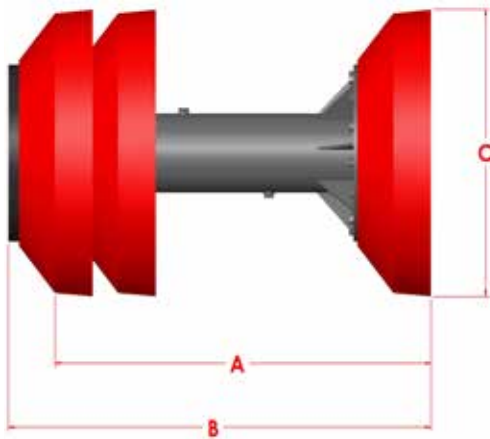


# CONICAL CUP

## UM3

16-48" (406-1219mm)

The basic three cup UM pigs are designed for batching of dissimilar fluids and are typically used for longer distance applications. The UM series is available in three versions. The three cup design of this pig provides a positive seal between fluid interfaces and is widely used for light cleaning of pipelines or batching/separation operations.



Size	A	B	C	Weight	Part #
16"	25.000	28.000	15.875	89	70580316
20"	29.750	33.375	20.000	145	70580320
22"	34.375	38.250	22.000	197	70580322
24"	36.500	40.875	24.000	231	70580324
30"	45.500	50.625	29.875	385	70580330
36"	55.125	61.750	36.000	586	70580336
42"	66.250	73.500	42.000	860	70580342
48"	74.625	83.000	48.000	1061	70580348

### Features:

UM pigs are equipped with Apache Series M cups manufactured from high quality Reliathane. The large wear surface of the cup promotes longer life while the product pressure keeps the cutting edge firm against the pipe wall. Standard bumper noses prevent damage to both the pig and in-line auxiliary equipment. All Apache 16"-48" pigs are manufactured with by-pass ports. The ports have threaded plugs that can be removed if by-pass is required.

### Options:

- Transmitter cavity for electronic tracking equipment.
- Aluminum or steel gauging plates are available in either slotted or standard styles.
- Magnets available.