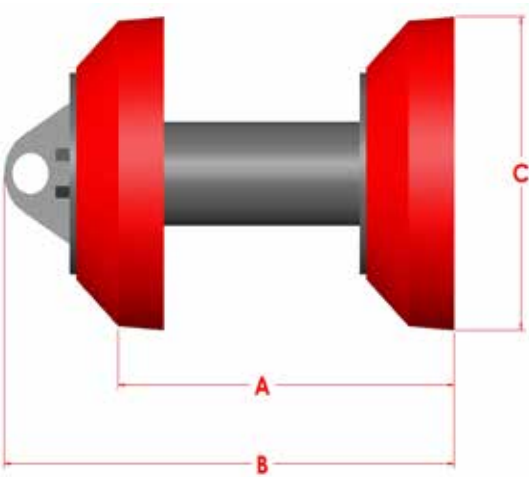


CONICAL CUP

UM2

3-14" (76-356mm)

The basic two cup series UM pigs are generally used for batching of dissimilar fluids. The UM series is available in three versions. The two cup design of this pig provides a positive seal between fluid interfaces while the three and four cup design is widely used for light cleaning of pipelines or batching/separation operations.



Size	A	B	C	Weight	Part #
3"	4.625	6.625	3.375	2	70580203
4"	5.875	8.000	4.375	3	70580204
6"	8.250	11.625	6.500	10	70580206
8"	10.500	14.125	8.375	15	70580208
10"	12.750	17.125	10.500	27	70580210
12"	15.125	19.625	12.500	39	70580212
14"	17.500	22.125	14.000	48	70580214

Features:

Configuration of the UM2 pig offers a sealing arrangement suitable for separation of dissimilar fluids together with light scraping of pipeline during longer distance operations. Pipeline pigs mounted with conical cups can traverse pipeline anomalies of up to 20% without damage to inline auxiliary equipment.

Options:

- Circular flat carbon steel, stainless steel, pencil or plastic brushes.
- Aluminum or steel gauging plates are available in either slotted or standard styles.
- Magnets available.