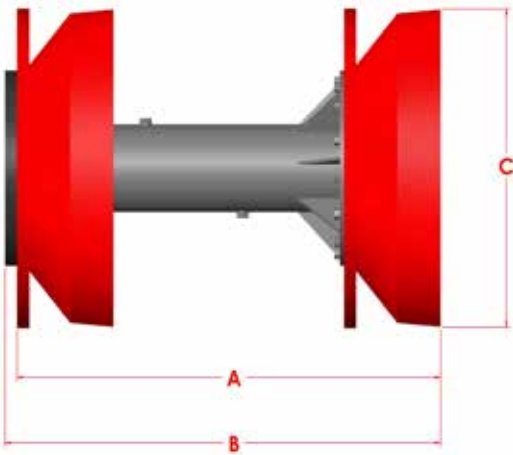


CONICAL CUP

DMD

16-48" (406-1219mm)

The series DMD pig comes standard with a combination of two sealing discs and two series M Cups, providing a positive seal between dissimilar fluids and scraping capability. The increased surface area provided by multiple sealing components significantly improves overall cleaning and sealing capacity of the pig.



Size	A	B	C	Weight	Part #
16"	24.500	25.500	15.875	75	70685016
20"	28.000	29.000	20.000	122	70685020
22"	32.375	33.375	22.000	163	70685022
24"	34.875	35.875	24.000	196	70685024
30"	43.000	44.125	29.875	328	70685030
36"	53.625	55.000	36.000	520	70685036
42"	62.875	64.375	42.000	755	70685042
48"	70.500	72.125	48.000	962	70685048

Features:

Configuration of the DMD pig offers a sealing arrangement suitable for separation of dissimilar fluids together with light scraping of pipeline during longer distance operations. Standard bumper noses prevent damage to both the pig and in-line auxiliary equipment. All Apache 16"-48" pigs are manufactured with by-pass ports. The ports have threaded plugs that can be removed if by-pass is required.

Options:

- Circular flat carbon steel, stainless steel, pencil or plastic brushes.
- Transmitter housing to accommodate electronic tracking equipment.
- Aluminum or steel gauging plates are available in either slotted or standard styles.
- Magnets available.