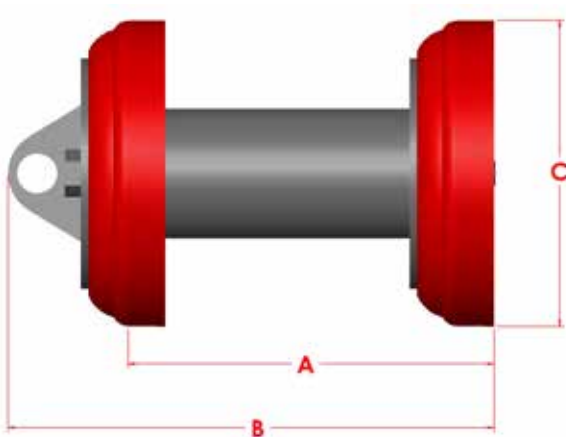


# SCRAPER CUP

## UC2

2-14" (51-356mm)

The basic two cup series UC pigs are generally used for batching of dissimilar fluids. The UC series is available in three versions. The two cup design of this pig provides a positive seal between fluid interfaces while the three and four cup design is widely used for light cleaning of pipelines or batching/separation operations.



Size	A	B	C	Weight	Part #
3"	4.375	6.875	3.375	2	70380203
4"	5.500	8.125	4.375	3	70380204
6"	7.750	11.750	6.375	11	70380206
8"	10.125	14.000	8.500	20	70380208
10"	12.500	16.750	10.625	35	70380210
12"	15.000	19.000	12.500	46	70380212
14"	17.375	21.000	13.875	54	70380214

### Features:

The large wear surface of the cup promotes longer life while the product pressure keeps the cutting edge firm against the pipe wall. Cups can be changed or adapted to different configurations as the application dictates.

### Options:

- Gauging plates of aluminum or steel, and either in slotted or standard styles are available.
- Magnets are available.