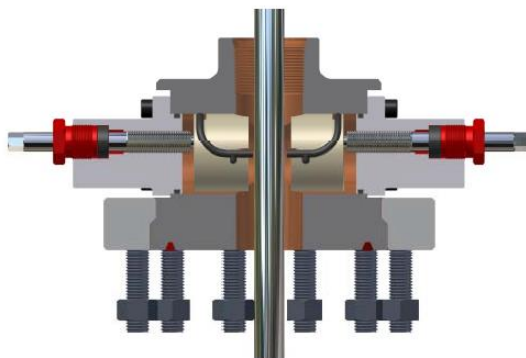
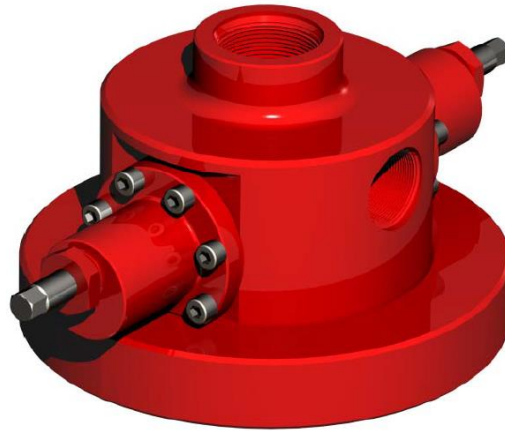
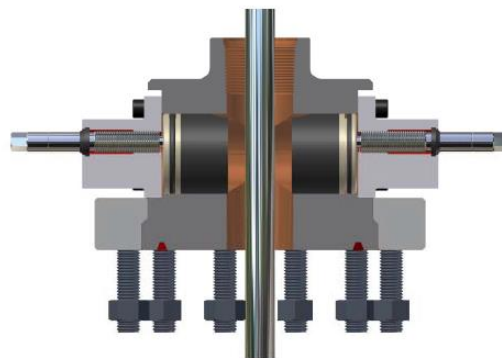




Integrated Pumping Tee



HIGH PRESSURE RAMS



LOW PRESSURE RAMS

Benefits

- Integral construction combines tubing bonnet, BOP and pumping tee, which reduces leak paths, assembly labor and risk of over-tightened threads ;
- All steel construction eliminates risk of casting porosity and reduces stack height by 50% compared to traditional assembly;
- Suitable for sour, low temperature applications;
- Stocked with 7 1/16" -2000 psi or 7 1/16" -3000 psi combination bottom flanged connection;
- Available with high pressure polish rod rams (1 1/4" or 1 1/2") or with low pressure polish rod rams (0 - 1 1/2").