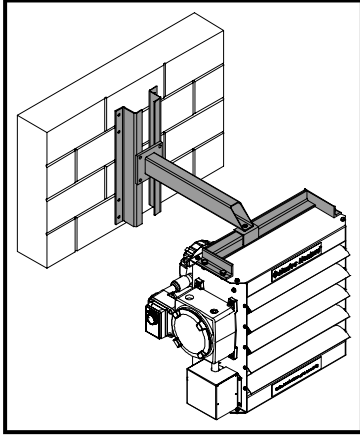


XEU1 -Heater Wall Mounting Bracket (WMB) Installation Instructions

Ensure heater model number corresponds with the correct model and size of mounting bracket identified on the outside of packaging.

WARNING!

Refer to heater owner's manual for mounting specifications and conditions. If the heater is installed on a structure that is to be transported, provide additional support for heater during transit. Suspended weight should not exceed 250 lbs (113 kg).

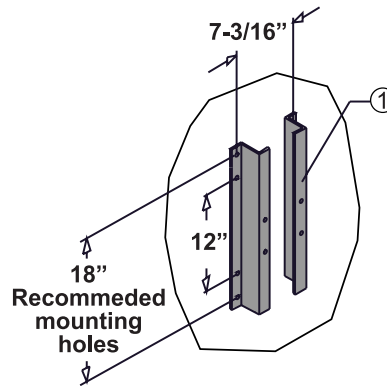


Wall Mounting Bracket (WMB)

Note: Installer is required to supply a method of fastening Z-sections to supporting structure. If using bolts, we recommend four 3/8" diameter, grade 5 bolts.

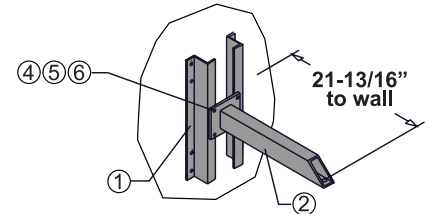
STEP 1

Fasten Z-Sections to a structure or surface that will support the heater's weight.



STEP 2

Bolt Cantilever Arm Assembly to Z-sections using 3/8" - 16UNC x 1" bolts, lock washers and nuts.

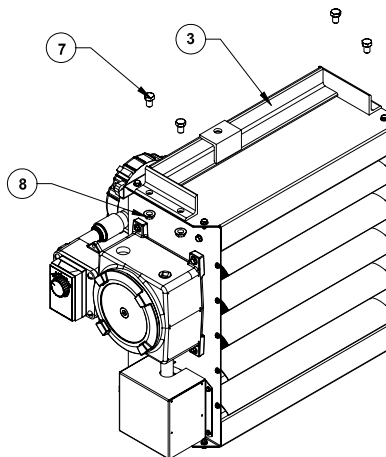


PACKAGE CONTENTS

Item	Qty.	Description
①	2	Z-Section
②	1	Cantilever Arm Assembly
③	1	Heater L-Bracket
④	4	Nut, 3/8" - 16UNC
⑤	4	Bolt, 3/8" - 16UNC x 1"
⑥	4	Lock Washer, 3/8"
⑦	4	Bolt, 1/2" - 13UNC x 1"
⑧	4	Flange Nut, 1/2" - 13UNC
⑨	1	Bolt, 5/8" - 11UNC x 1-1/4"

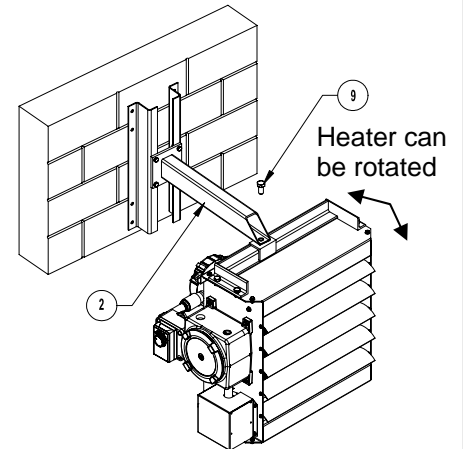
STEP 3

Bolt Heater L- Bracket to heater using four 1/2" - 13UNC x 1" bolts and two 1/2" - 13 UNC flange nuts.



STEP 4

Lift heater and fasten to Cantilever Arm Assembly using one 5/8" - 11UNC x 1-1/4" bolt.



CANAM
pipe & supply

- est. 1990