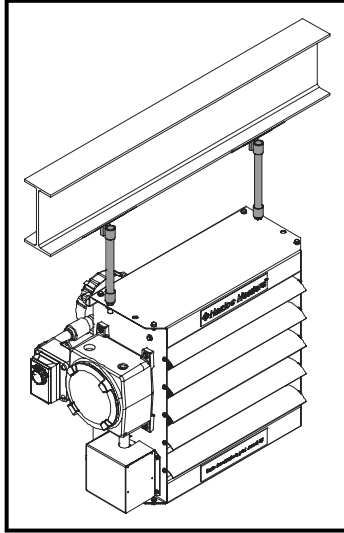


# XEU1 -Heater Hanging Mounting Bracket (HMB) Installation Instructions

Ensure heater model number corresponds with the correct model and size of mounting bracket identified on the outside of packaging.

**WARNING!**

Refer to heater owner's manual for mounting specifications and conditions. If the heater is installed on a structure that is to be transported, provide additional support for heater during transit. Suspended weight should not exceed 500 lbs (227 kg).



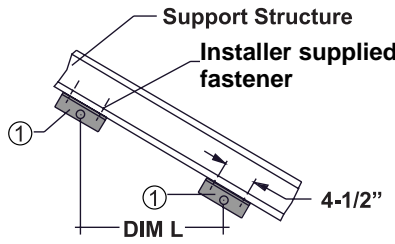
## Hanging Mounting Bracket (HMB)

Note: *Installer is required to supply:*

- A) a method of fastening Top Mount Angle to supporting structure. If using bolts, we recommend four 3/8" diameter, grade 5 bolts.
- B) two pieces of 1/2", schedule 40 or greater, steel pipe cut to required length and threaded on both ends.

### STEP 1

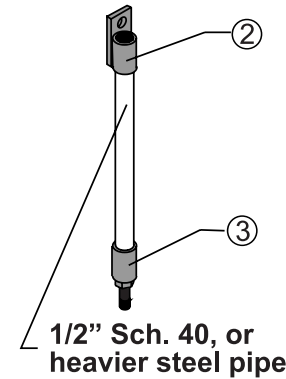
Fasten Top Mount Angles to structure or surface that will support the heater's weight (see heater owners manual for distance between mounting holes).



DIM L = Distance between mounting holes. (Refer to owner's manual)

### STEP 2

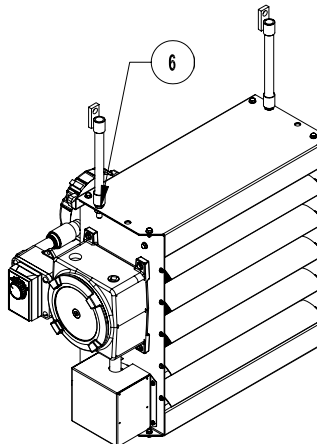
Screw one Pipe Hanger Adapter and one Heater Adapter onto each steel pipe until tight (minimum 5 turns).



1/2" Sch. 40, or heavier steel pipe

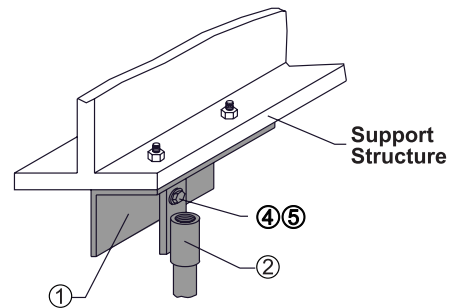
### STEP 3

Insert hanger assemblies from Step 2 into rear mounting holes on top of heater cabinet and fasten using 1/2" - 13UNC flange nuts.



### STEP 4

Hang heater from the inside of Top Mount Angle (as shown) using two 1/2" - 13UNC x 1-1/4" bolts and 1/2" - 13UNC lock nuts. Do not back off more than 3/4 turns.



### PACKAGE CONTENTS

Item	Qty.	Description
①	2	Top Mount Angle
②	2	Pipe Hanger Adapter
③	2	Heater Adapter
④	2	Bolt, 1/2" - 13UNC x 1-1/4"
⑤	2	Lock Nut, 1/2" - 13UNC
⑥	4	Flange Nut, 1/2" - 13UNC



**CANAM**  
pipe & supply  
-est. 1990