

Notes

1. Net weight

- Without Disconnect Switch 161 lbs (73.0 kg)
- With Disconnect Switch 174 lbs (78.9 kg)

2. Shipping Weight

- Without Disconnect Switch 224 lbs (101.6 kg)
- With Disconnect Switch 237 lbs (107.5 kg)

3. Ambient Temperature Limits and Altitude

- Operating: -40°F to 104°F (-40°C to 40°C)
- Storage: -58°F to 140°F (-50°C to 60°C)
- Maximum Altitude: 10,000 ft (3048 m) ASL

4. Air Delivery

- 15 kW = 1200 cfm (2039 m³/hr)
- 20 kW = 1700 cfm (2888 m³/hr)

5. Hazardous Location Classification

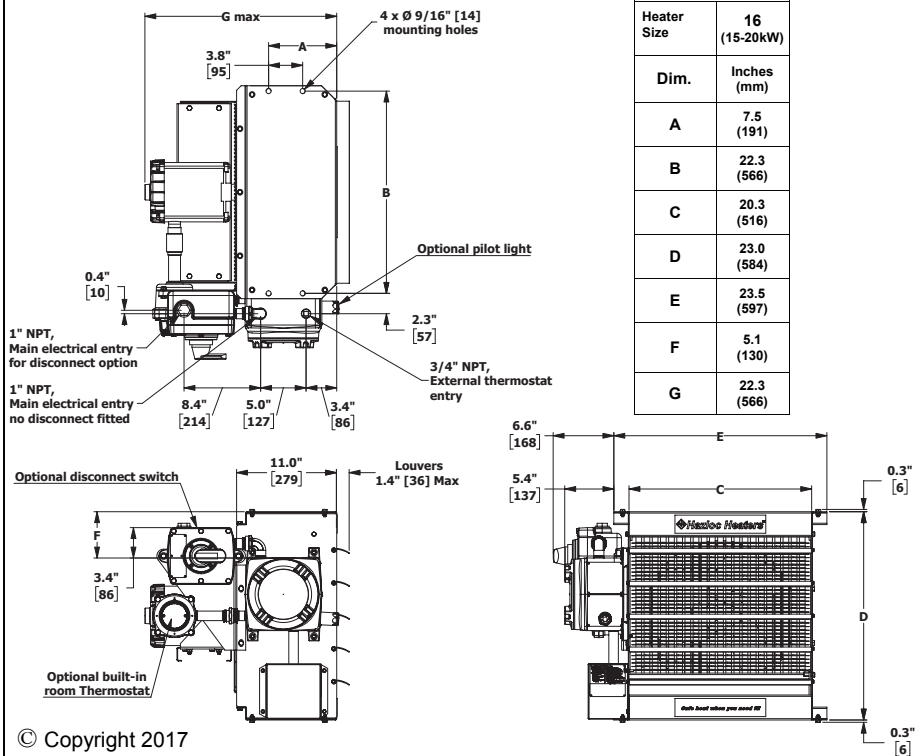
- Class I, Divisions 1 & 2, Groups C & D
- Class II, Divisions 1 & 2, Groups F & G
- Temperature Code T3B
- Class I, Zones 1 & 2, Groups IIA & IIB, T3

6. Materials

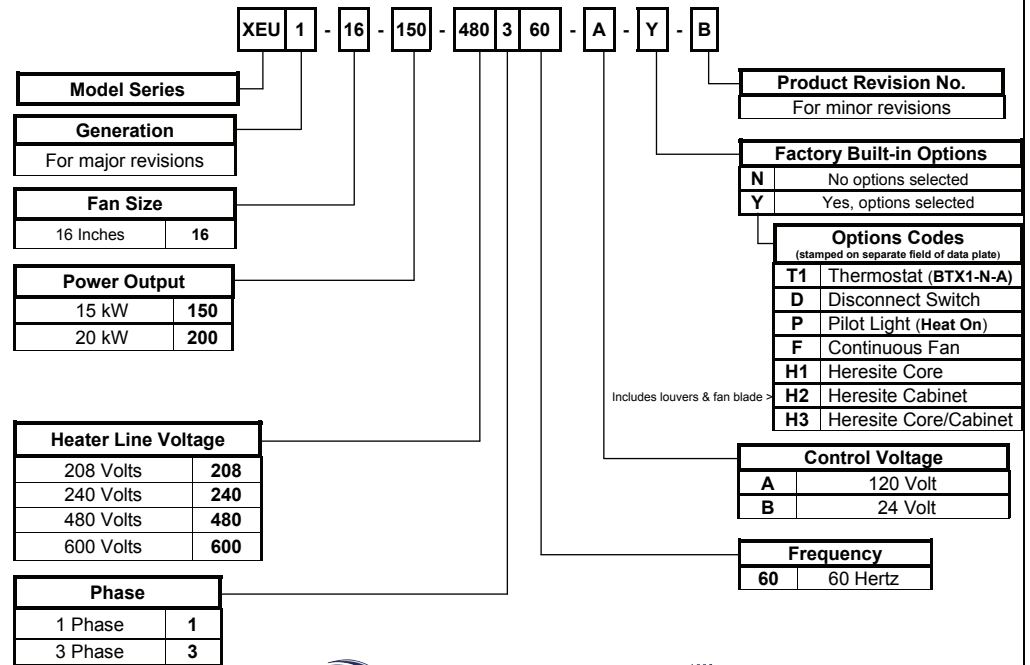
- Cabinet: 14 Ga, Yellow Epoxy/Polyester Powder Coated
- Core: Carbon Steel with Copper-free Integral Aluminum Fins Coated with Black, High Heat Enamel (Heresite coated core and/or cabinet available)

Table 1 Specifications for XEU1 Heater, 16" Fan Size

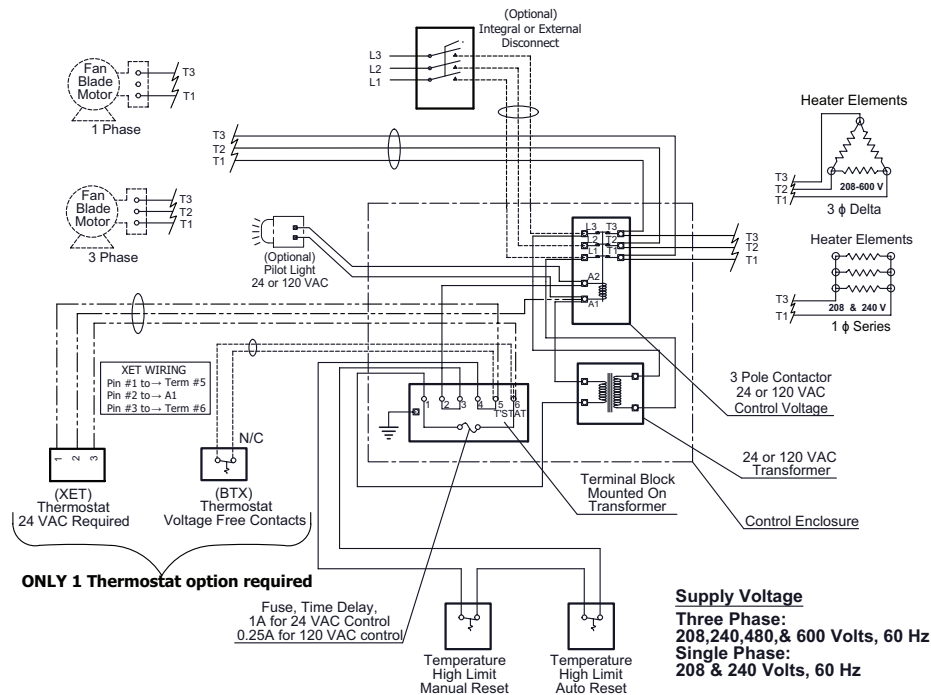
KW (BTU/HR)	Line Volt	PH Ø	Fan Dia. (inch)	Total Amps	Minimum Circuit Ampacity	Max Fuse Size	Supply Wire 90°C (AWG)	BASE MODEL	Control Voltage 120V or 24V		Built-in Thermostat	Built-in Disconnect Switch	Built-in Pilot Light	Continuous Fan
									120 <input checked="" type="checkbox"/>	24 <input checked="" type="checkbox"/>				
15 (51180)	208	3	16	42.7	53.4	60	8	XEU1-16-150-208360	<input type="checkbox"/>	<input type="checkbox"/>	<input type="checkbox"/>	<input type="checkbox"/>	<input type="checkbox"/>	<input type="checkbox"/>
	240	3		37.2	46.5	50	8	XEU1-16-150-240360	<input type="checkbox"/>	<input type="checkbox"/>	<input type="checkbox"/>	<input type="checkbox"/>	<input type="checkbox"/>	<input type="checkbox"/>
	480	3		18.6	23.2	25	10	XEU1-16-150-480360	<input type="checkbox"/>	<input type="checkbox"/>	<input type="checkbox"/>	<input type="checkbox"/>	<input type="checkbox"/>	<input type="checkbox"/>
	600	3		14.9	18.6	20	12	XEU1-16-150-600360	<input type="checkbox"/>	<input type="checkbox"/>	<input type="checkbox"/>	<input type="checkbox"/>	<input type="checkbox"/>	<input type="checkbox"/>
20 (68240)	480	3	16	24.6	30.8	35	10	XEU1-16-200-480360	<input type="checkbox"/>	<input type="checkbox"/>	<input type="checkbox"/>	<input type="checkbox"/>	<input type="checkbox"/>	<input type="checkbox"/>
	600	3		19.7	24.6	25	10	XEU1-16-200-600360	<input type="checkbox"/>	<input type="checkbox"/>	<input type="checkbox"/>	<input type="checkbox"/>	<input type="checkbox"/>	<input type="checkbox"/>



Heater Size	16 (15-20kW)
Dim.	Inches (mm)
A	7.5 (191)
B	22.3 (566)
C	20.3 (516)
D	23.0 (584)
E	23.5 (597)
F	5.1 (130)
G	22.3 (566)



Wiring Diagram for Standard Fan Operation



Wiring Diagram for Continuous Fan Operation

