

Notes

1. Net weight

Without Disconnect Switch
 3, 5 & 7.5kW = 129 lbs (58.5 kg)
 10 kW = 133 lbs (60.3 kg)

With Disconnect Switch
 3, 5 & 7.5kW = 142 lbs (64.4 kg)
 10 kW = 146 lbs (66.2 kg)

2. Shipping Weight

Without Disconnect Switch
 3, 5 & 7.5kW = 188 lbs (85.3 kg)
 10 kW = 192 lbs (87.1 kg)

With Disconnect Switch
 3, 5 & 7.5kW = 201 lbs (91.2 kg)
 10 kW = 205 lbs (93.0 kg)

3. Ambient Temperature Limits and Altitude

Operating: -40°F to 104°F (-40°C to 40°C)
 Storage: -58°F to 140°F (-50°C to 60°C)
 Maximum Altitude: 10,000 ft (3048 m) ASL

4. Air Delivery

3 kW = 350 cfm (595 m³/hr)
 5 kW = 400 cfm (680 m³/hr)
 7.5 kW = 600 cfm (1019 m³/hr)
 10 kW = 800 cfm (1359 m³/hr)

5. Hazardous Location Classification

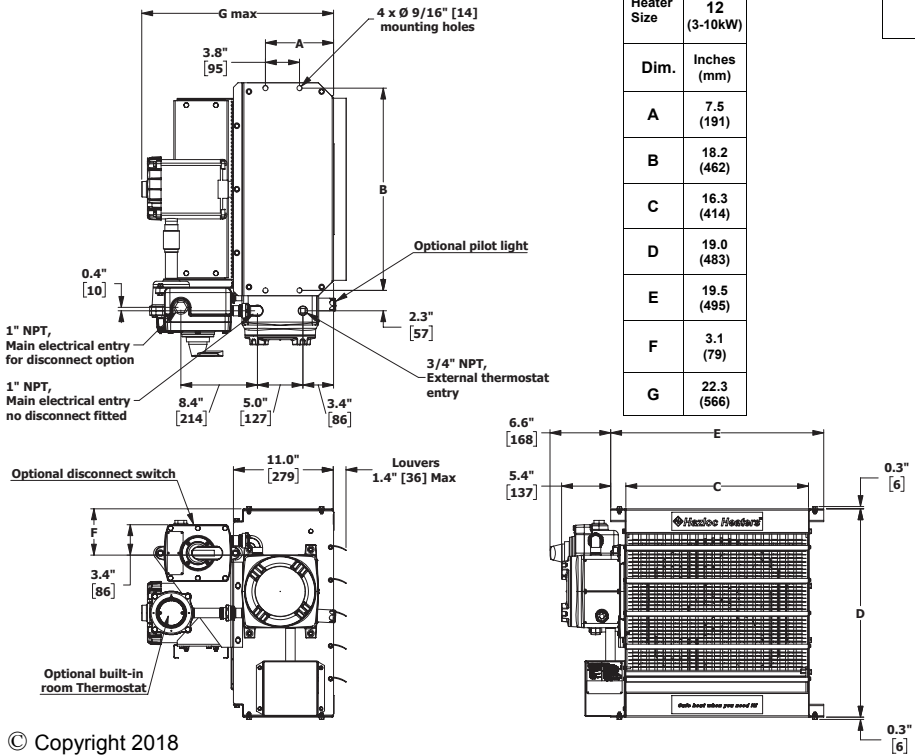
Class I, Divisions 1 & 2, Groups C & D
 Class II, Divisions 1 & 2, Groups F & G
 Temperature Code T3B (3kW = T3A)
 Class I, Zones 1 & 2, Groups IIA & IIB, T3

6. Materials

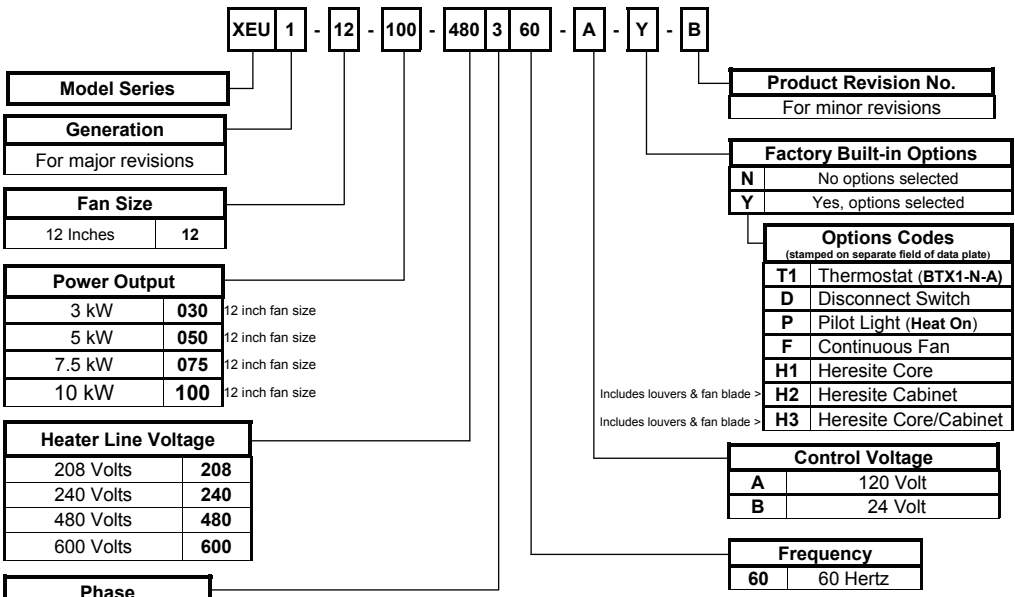
Cabinet: 14 Ga, Yellow Epoxy/Polyester Powder Coated
 Core: Carbon Steel with Copper-free Integral Aluminum Fins Coated with Black, High Heat Enamel
 (Heresite coated core and/or cabinet available)

Table 1 Specifications for XEU1 Heater, 12" Fan Size

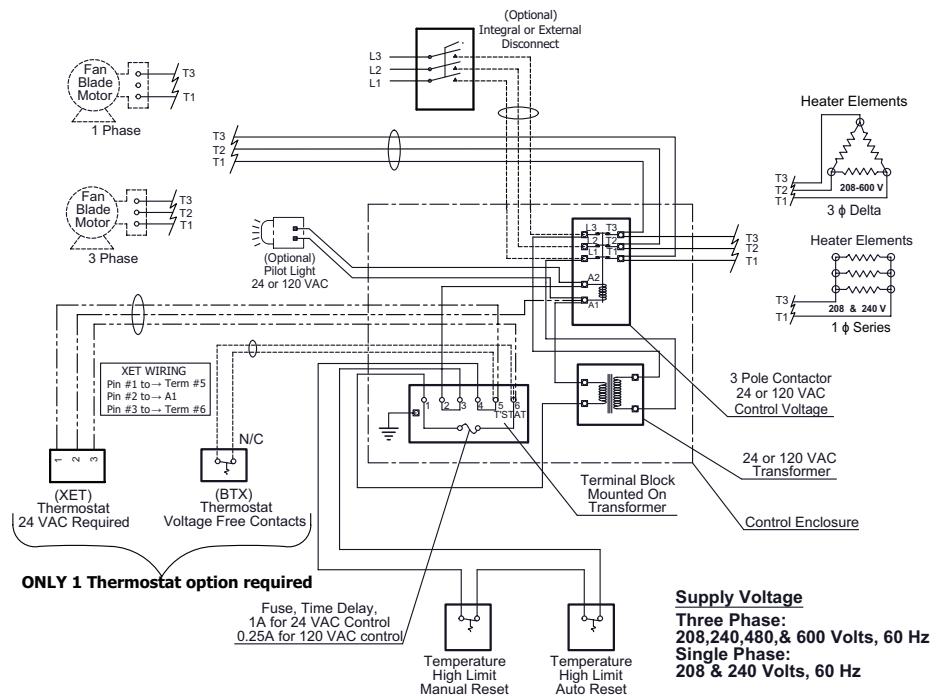
KW (BTU/HR)	Line Volt	PH Ø	Fan Dia. (inch)	Total Amps	Minimum Circuit Ampacity	Max Fuse Size	Supply Wire 90°C (AWG)	BASE MODEL	Control Voltage 120V or 24V		Built-in Thermostat	Built-in Disconnect Switch	Built-in Pilot Light	Continuous Fan
									120 <input checked="" type="checkbox"/>	24 <input checked="" type="checkbox"/>				
3 (10236)	208	3	12	1	16.7	20.9	25	12	XEU1-12-030-208160					
				3	9.4	11.8	15	14	XEU1-12-030-208360					
	240	3	1	14.9	18.6	20	12	XEU1-12-030-240160						
			3	8.3	10.4	15	14	XEU1-12-030-240360						
	480	3	4.2	5.2	15	14	XEU1-12-030-480360							
600	3	3.3	4.1	15	14	XEU1-12-030-600360								
5 (17060)	208	3	12	1	26.3	32.9	35	8	XEU1-12-050-208160					
				3	15.0	18.7	20	12	XEU1-12-050-208360					
	240	3	1	23.2	29.0	30	10	XEU1-12-050-240160						
			3	13.1	16.4	20	12	XEU1-12-050-240360						
	480	3	6.6	8.2	15	14	XEU1-12-050-480360							
600	3	5.2	6.6	15	14	XEU1-12-050-600360								
7.5 (25590)	208	3	12	1	38.4	47.9	50	8	XEU1-12-075-208160					
				3	21.9	27.4	30	10	XEU1-12-075-208360					
	240	3	1	33.7	42.1	45	8	XEU1-12-075-240160						
			3	19.1	23.9	25	10	XEU1-12-075-240360						
	480	3	9.6	12.0	15	14	XEU1-12-075-480360							
600	3	7.6	9.6	15	14	XEU1-12-075-600360								
10 (34120)	208	3	12	1	28.9	36.1	40	8	XEU1-12-100-208360					
				3	44.1	55.1	60	8	XEU1-12-100-240160					
	240	3	1	25.2	31.4	35	8	XEU1-12-100-240360						
			3	12.6	15.7	20	12	XEU1-12-100-480360						
	600	3	10.1	12.6	15	14	XEU1-12-100-600360							



Heater Size	12 (3-10kW)
Dim.	Inches (mm)
A	7.5 (191)
B	18.2 (462)
C	16.3 (414)
D	19.0 (483)
E	19.5 (495)
F	3.1 (79)
G	22.3 (566)



Wiring Diagram for Standard Fan Operation



Wiring Diagram for Continuous Fan Operation

