

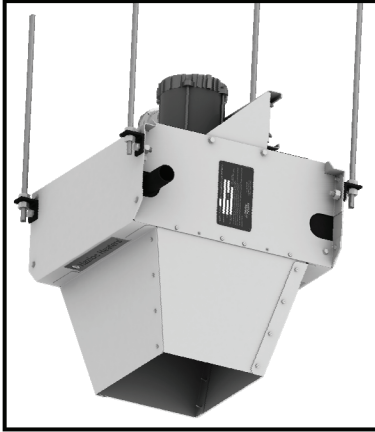
# HHP -Heater Vertical Hanging Mounting Bracket (VHMB) Installation Instructions

Ensure heater model number corresponds with the correct model and size of mounting bracket identified on the outside of packaging.

## **WARNING!**

Refer to heater owner's manual for mounting specifications and conditions. If the heater is installed on a structure that is to be transported, provide additional support for heater during transit. Suspended weight should not exceed 500 lbs (227 kg).

## **Vertical Hanging Mounting Bracket (VHMB)**

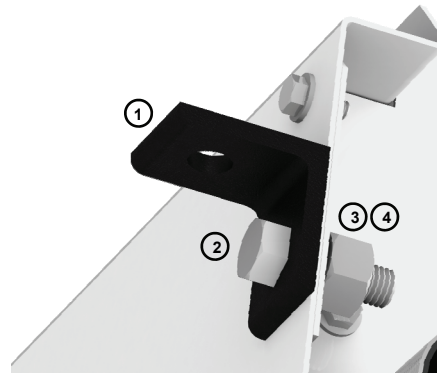


Note: *Installer is required to supply:*

- A) four 3/8" or 10 mm threaded rods.
- B) eight nuts.
- C) eight lock washers.

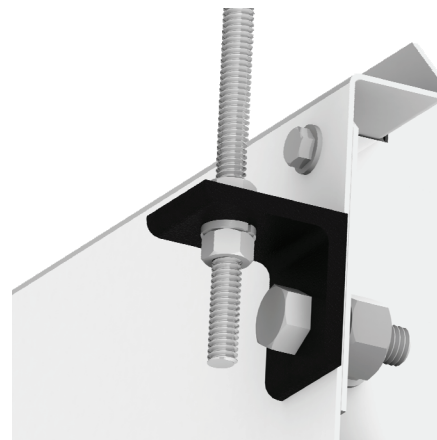
### **STEP 1**

Fasten four Angle Brackets to mounting holes located in top and bottom panels of heater using 1/2" - 13UNC x 1-1/2" bolts, 1/2" Lock Washers and 1/2" - 13 UNC Nuts.



### **STEP 2**

Hang heater using installer supplied threaded rod, lock washers and nuts.



### **PACKAGE CONTENTS**

Item	Qty.	Description
①	4	Angle Brackets
②	4	Bolt, 1/2" - 13UNC x 1-1/2"
③	4	Lock Washer, 1/2"
④	4	Nut, 1/2" - 13UNC