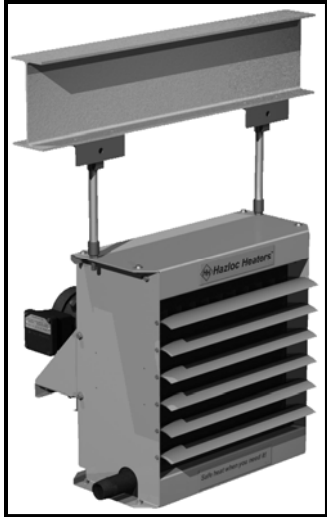


# HHP -Heater Hanging Mounting Bracket (HMB) Installation Instructions

Ensure heater model number corresponds with the correct model and size of mounting bracket identified on the outside of packaging.

## **WARNING!**

Refer to heater owner's manual for mounting specifications and conditions. If the heater is installed on a structure that is to be transported, provide additional support for heater during transit. Suspended weight should not exceed 500 lbs (227 kg).



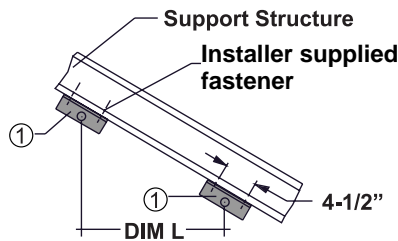
## **Hanging Mounting Bracket (HMB)**

**Note: Installer is required to supply:**

- A) a method of fastening Top Mount Angle to supporting structure. If using bolts, we recommend four 3/8" diameter, grade 5 bolts.**
- B) two pieces of 1/2", schedule 40 or greater, steel pipe cut to required length and threaded on both ends.**

### **STEP 1**

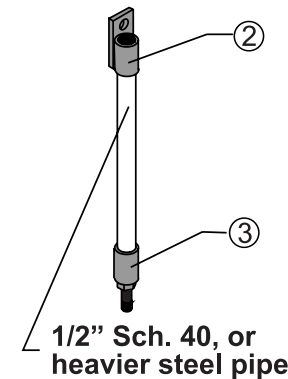
Fasten Top Mount Angles to structure or surface that will support the heater's weight (see heater owners manual for distance between mounting holes).



DIM L = Distance between mounting holes. (Refer to owner's manual)

### **STEP 2**

Screw one Pipe Hanger Adapter and one Heater Adapter onto each steel pipe until tight (minimum 5 turns).

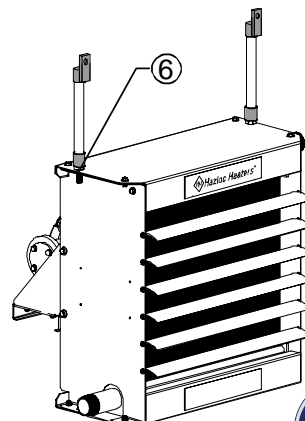


### **PACKAGE CONTENTS**

Item	Qty.	Description
①	2	Top Mount Angle
②	2	Pipe Hanger Adapter
③	2	Heater Adapter
④	2	Bolt, 1/2" - 13UNC x 1-1/4"
⑤	2	Lock Nut, 1/2" - 13UNC
⑥	4	Flange Nut, 1/2" - 13UNC

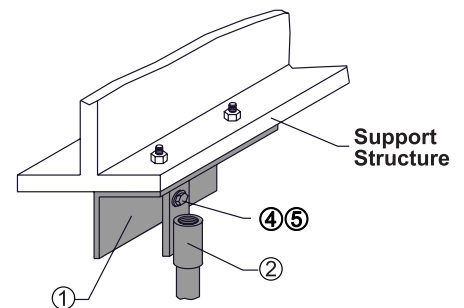
### **STEP 3**

Insert hanger assemblies from Step 2 into mounting holes on top of heater cabinet and fasten using 1/2" - 13UNC flange nuts.



### **STEP 4**

Hang heater from the inside of Top Mount Angle (as shown) using two 1/2" - 13UNC x 1-1/4" bolts and 1/2"-13UNC lock nuts. Do not back off more than 3/4 turns.



**CANAM**  
pipe & supply  
- est. 1990