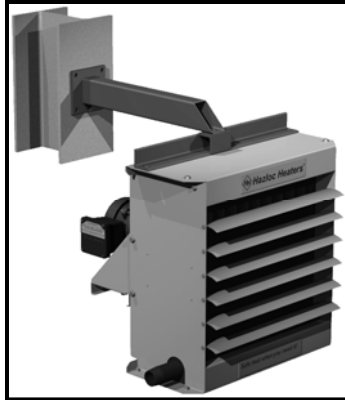


HHP -Heater Basic Mounting Bracket (BMB) Installation Instructions

Ensure heater model number corresponds with the correct model and size of mounting bracket identified on the outside of packaging.

WARNING!

Refer to heater owner's manual for mounting specifications and conditions. If the heater is installed on a structure that is to be transported, provide additional support for heater during transit. Suspended weight should not exceed 250 lbs (113 kg).

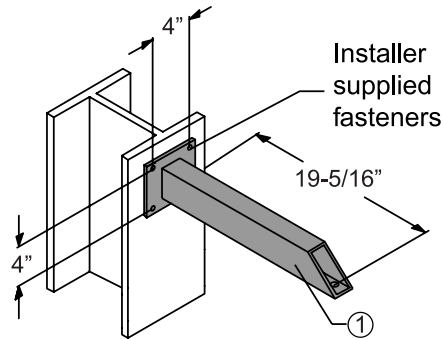


Basic Mounting Bracket (BMB)

Note: *Installer is required to supply a method of fastening Cantilever Arm Assembly to supporting structure. If using bolts, we recommend four 3/8" diameter, grade 5 bolts.*

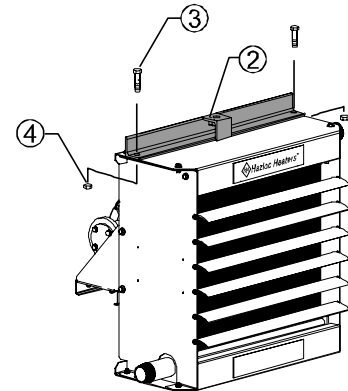
STEP 1

Fasten the Cantilever Arm Assembly to a structure or surface that will support the heater's weight.



STEP 2

Bolt Heater L-Bracket to heater using two 1/2" - 13UNC x 1" bolts and 1/2" - 13UNC flange nuts.

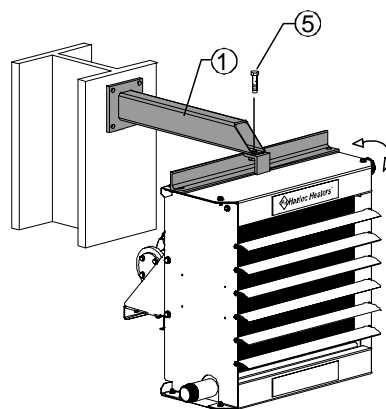


PACKAGE CONTENTS

Item	Qty.	Description
①	1	Cantilever Arm Assembly
②	1	Heater L-Bracket
③	2	Bolt, 1/2" -13UNC x 1
④	2	Flange Nut, 1/2" -13UNC
⑤	1	Bolt, 5/8" -11UNC x 1-1/4"

STEP 3

Lift heater and fasten to Cantilever Arm Assembly using one 5/8" - 11UNC x 1-1/4" bolt.



Heater can be rotated as indicated by arrows



CANAM
pipe & supply

-est. 1990