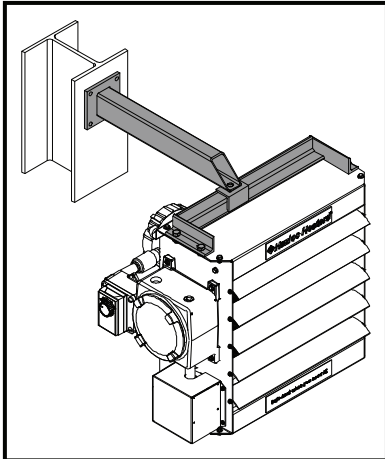


# AEU1 -Heater Basic Mounting Bracket (BMB) Installation Instructions

Ensure heater model number corresponds with the correct model and size of mounting bracket identified on the outside of packaging.

## **WARNING!**

Refer to heater owner's manual for mounting specifications and conditions. If the heater is installed on a structure that is to be transported, provide additional support for heater during transit. Suspended weight should not exceed 250 lbs (113 kg).



## **Basic Mounting Bracket (BMB)**

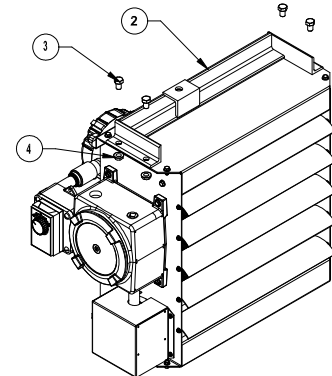
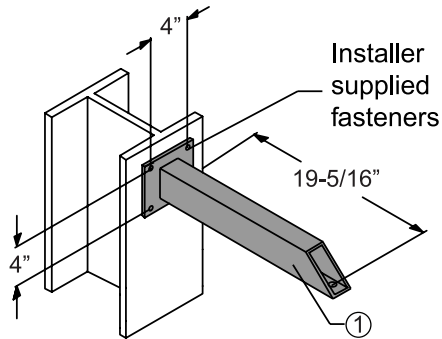
**Note:** *Installer is required to supply a method of fastening Cantilever Arm Assembly to supporting structure. If using bolts, we recommend four 3/8" diameter, grade 5 bolts.*

### **STEP 1**

Fasten the Cantilever Arm Assembly to a structure or surface that will support the heater's weight.

### **STEP 2**

Bolt Heater L-Bracket to heater using four 1/2" - 13UNC x 1" bolts and 1/2" - 13UNC flange nuts.

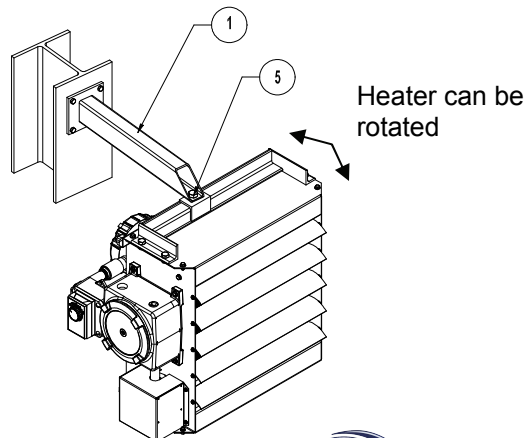


## **PACKAGE CONTENTS**

Item	Qty.	Description
①	1	Cantilever Arm Assembly
②	1	Heater L-Bracket
③	4	Bolt, 1/2" -13UNC x 1
④	4	Flange Nut, 1/2" -13UNC
⑤	1	Bolt, 5/8" -11UNC x 1-1/4"

### **STEP 3**

Lift heater and fasten to Cantilever Arm Assembly using one 5/8" - 11UNC x 1-1/4" bolt.



**CANAM**  
pipe & supply  
- est. 1990