

Notes

1. Net weight

Without Thermostat or Disconnect Switch
25 & 30 kW = 201 lbs (91.5 kg)

Net Weight Adders
Thermostat = 7 lbs (3.1 kg)
Disconnect Switch = 11 lbs (4.9 kg)

2. Shipping Weight

Without Thermostat or Disconnect Switch
25 & 30 kW = 270 lbs (122.5 kg)

Ship Weight Adders
Thermostat = 7 lbs (3.1 kg)
Disconnect Switch = 11 lbs (4.9 kg)

3. Ambient Temperature Limits and Altitude

Operating: **Gas:** -40°C ≤ Tamb ≤ +40°C; **Dust:** -30°C ≤ Tamb ≤ +40°C (except IECEx with disconnect -20°C ≤ Tamb ≤ +40°C)
Storage: -50°C to +60°C
Maximum Altitude: 3000 m ASL

4. Air Delivery

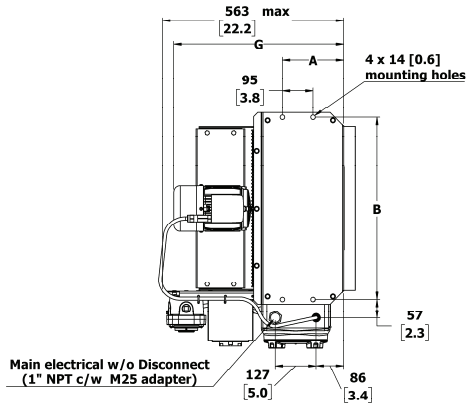
25 kW = 3568 m³/hr
30 kW = 5097 m³/hr

5. Hazardous Location Classification

Gas Atmosphere Models or **Dust Atmosphere Models**
 C 0518 (Ex) II 2G, Ex d IIB T4 Gb IP55 (ATEX) or C 0518 (Ex) II 2D, Ex tb IIIB T135°C Db IP65 (ATEX)
 Ex d IIB T4 Gb IP55 (IECEX) or Ex tb IIIB T135°C Db IP65 (IECEX)
 1Ex d IIB T4 X IP55 (EAC Ex) or Ex tb IIIB T135°C Db X IP65 (EAC Ex)
 (Suitable for ATEX/IECEX/EAC Ex Zone 1 & 2) (Suitable for ATEX/IECEX/EAC Ex Zone 21 & 22)

6. Materials

Cabinet: 14 Ga, Yellow Epoxy/Polyester Powder Coated
Core: Carbon Steel with Copper-free Integral Aluminum Fins Coated with Black, High Heat Enamel (Heresite coated core and/or cabinet available)



Heater Size	20 (25-30kW)
Dim.	Inches (mm)
A	7.5 (191)
B	26.3 (667)
C	24.3 (617)
D	27.0 (686)
E	27.4 (697)
F	7.1 (181)
G	20.8 (528)
H	16.7 (424)

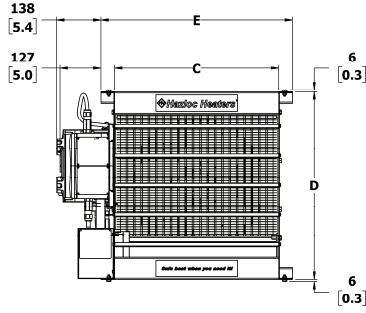
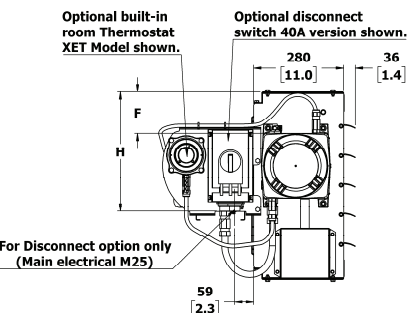


Table 1 Specifications for AEU1 Heater, 20" Fan Size

KW	Line Volt	PH	Hz	Fan Dia. (inch)	Total Amps	Minimum Circuit Ampacity	Max Fuse Size	Supply Wire 90°C mm² (AWG)	BASE MODEL (? = G or D)	Flammable Substance Gas (G) Dust (D) (circle one)	Optional Built-in Thermostat (circle one)	Built-in Disconnect Switch <input checked="" type="checkbox"/>	Continuous Fan <input checked="" type="checkbox"/>
25	400	3	50	20	37.1	46.4	50	8.36 (8)	AEU1-?-20-250-400350-B	G or D	None or T1 or T2		
	480	3	60		31.1	38.9	40	8.36 (8)	AEU1-?-20-250-480360-B	G or D	None or T1 or T2		
30	400	3	50	20	44.3	55.4	60	13.3 (6)	AEU1-?-20-300-400350-B	G or D	None or T1 or T2	(not available)	
	480	3	60		37.1	46.4	50	8.36 (8)	AEU1-?-20-300-480360-B	G or D	None or T1 or T2		

Heater Model Code & Option Codes

Model Code
 AEU 1 - G - 20 - 250 - 400 3 50 - B - Y - B

Option Codes
 T1, D1, etc. (stamped on separate field of data plate)

Model Series
AEU 1

Generation
For major revisions

Flammable Substance
 Gas: G
 Dust: D

Fan Size
20" (508 mm) | 20

Power Output
 25 kW | 250
 30 kW | 300

Heater Line Voltage
 400 Volts¹ | 400 @ 50Hz only
 480 Volts² | 480 @ 60Hz only

Product Revision No.
For minor revisions

Factory Built-in Options
 N No options selected
 Y Yes, options selected

Option Codes (stamped on separate field of data plate)
 T1 Thermostat, Bi-metal (BTX1-E-A)
 T2 Thermostat, Electronic (XET1-1-E-A)
 D2³ Disconnect switch, 20A
 D4³ Disconnect switch, 40A
 F Continuous fan
 H1 Heresite Core
 H2 Heresite Cabinet
 H3 Heresite Core/Cabinet

Control Voltage
 B 24VAC

Frequency
 @400 Volts only: 50 50Hz
 @480 Volts only: 60 60Hz

Phase
 3 3 Phase

Includes louvers and fan (for H1, H2, H3)

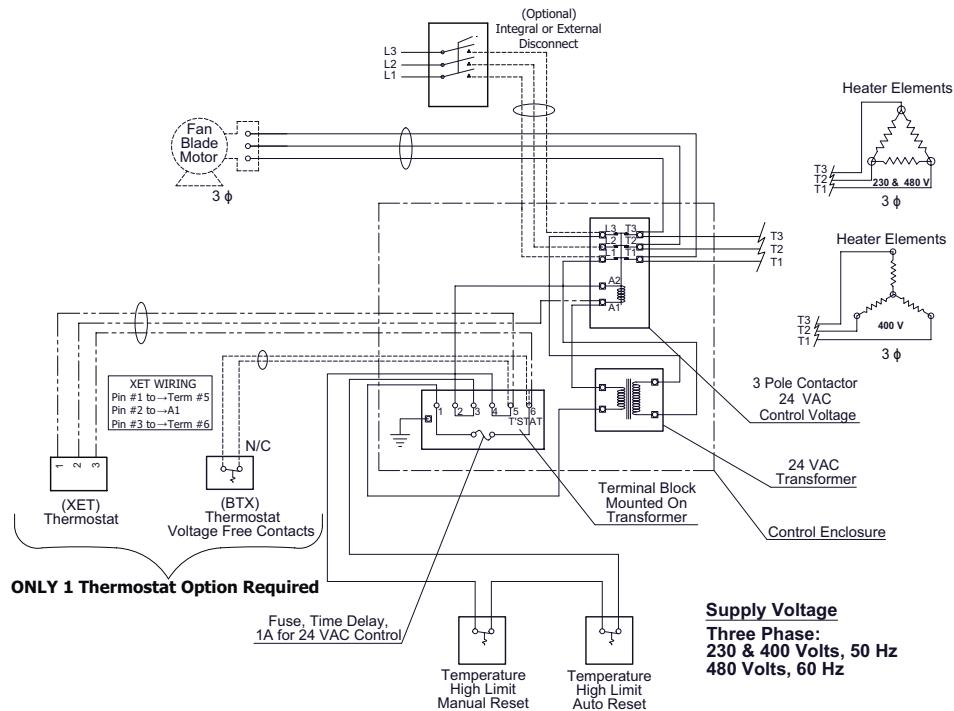
¹ Line voltage is 400VAC +/- 5% @ 50Hz.
² Line voltage is 480VAC Max @ 60Hz. Motor has a rated voltage of 460VAC +/- 5%.
³ Built-in disconnect switch is shipped with a prebuilt gland / cable assembly that must be installed and inspected on site.



CANAM
- est. 1990
pipe & supply



Wiring Diagram for Standard Fan Operation



Wiring Diagram for Continuous Fan Operation

