

Notes

1. Net weight

Without Thermostat or Disconnect Switch
15 & 20 kW = 176 lbs (79.8 kg)

Net Weight Adders
Thermostat = 7 lbs (3.1 kg)
Disconnect Switch = 11 lbs (4.9 kg)

2. Shipping Weight

Without Thermostat or Disconnect Switch
15 & 20 kW = 239 lbs (108.4 kg)

Ship Weight Adders
Thermostat = 7 lbs (3.1 kg)
Disconnect Switch = 11 lbs (4.9 kg)

3. Ambient Temperature Limits and Altitude

Operating: **Gas:** -40°C ≤ Tamb ≤ +40°C; **Dust:** -30°C ≤ Tamb ≤ +40°C (except IECEx with disconnect -20°C ≤ Tamb ≤ +40°C)
Storage: -50°C to +60°C
Maximum Altitude: 3000 m ASL

4. Air Delivery

15 kW = 2039 m³/hr
20 kW = 2888 m³/hr

5. Hazardous Location Classification

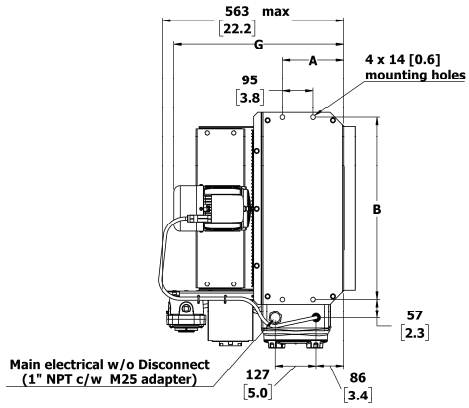
Gas Atmosphere Models or **Dust Atmosphere Models**
 C 0518 (Ex) II 2G, Ex d IIB T4 Gb IP55 (ATEX) or C 0518 (Ex) II 2D, Ex tb IIIB T135°C Db IP65 (ATEX)
 Ex d IIB T4 Gb IP55 (IECEX) or Ex tb IIIB T135°C Db IP65 (IECEX)
 1Ex d IIB T4 X IP55 (EAC Ex) or Ex tb IIIB T135°C Db X IP65 (EAC Ex)
 (Suitable for ATEX/IECEX/EAC Ex Zone 1 & 2) (Suitable for ATEX/IECEX/EAC Ex Zone 21 & 22)

6. Materials

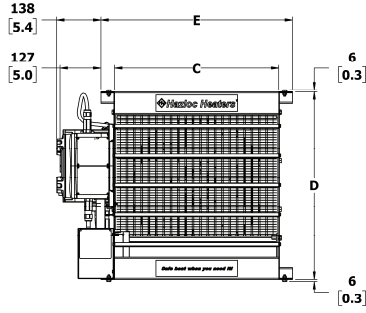
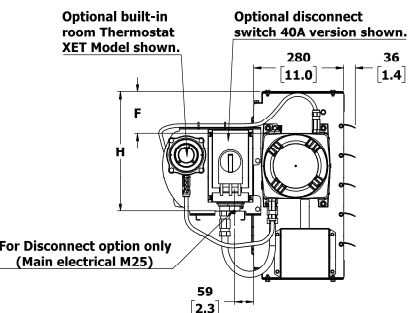
Cabinet: 14 Ga, Yellow Epoxy/Polyester Powder Coated
Core: Carbon Steel with Copper-free Integral Aluminum Fins Coated with Black, High Heat Enamel
(Heresite coated core and/or cabinet available)

Table 1 Specifications for AEU1 Heater, 16" Fan Size

KW	Line Volt	PH	Hz	Fan Dia. (inch)	Total Amps	Minimum Circuit Ampacity	Max Fuse Size	Supply Wire 90°C mm² (AWG)	BASE MODEL (? = G or D)	Flammable Substance Gas (G) Dust (D) (circle one)	Optional Built-in Thermostat (circle one)	Built-in Disconnect Switch <input checked="" type="checkbox"/>	Continuous Fan <input checked="" type="checkbox"/>
15	230	3	50	16	39.2	49.0	50	8.36 (8)	AEU1-?-16-150-230350-B	G or D	None or T1 or T2	(not available)	
	400	3	50		22.7	28.4	30	5.26 (10)	AEU1-?-16-150-400350-B	G or D	None or T1 or T2		
	480	3	60		19.1	23.9	25	5.26 (10)	AEU1-?-16-150-480360-B	G or D	None or T1 or T2		
20	400	3	50	16	29.9	37.4	40	8.36 (8)	AEU1-?-16-200-400350-B	G or D	None or T1 or T2		
	480	3	60		25.1	31.4	35	8.36 (8)	AEU1-?-16-200-480360-B	G or D	None or T1 or T2		



Heater Size	16 (15-20kW)
Dim.	Inches (mm)
A	7.5 (191)
B	22.3 (566)
C	20.3 (515)
D	23.0 (583)
E	23.5 (596)
F	5.1 (130)
G	20.8 (528)
H	14.7 (373)



Heater Model Code & Option Codes

Model Code
 AEU 1 - G - 16 - 150 - 400 3 50 - B - Y - B

Option Codes
 T1, D1, etc. (stamped on separate field of data plate)

Model Series
 AEU 1

Generation
 For major revisions

Flammable Substance
 Gas G
 Dust D

Fan Size
 16" (406 mm)

Power Output
 15 kW 150
 20 kW 200

Heater Line Voltage
 230 Volts¹ 230 @ 50Hz only
 400 Volts² 400 @ 50Hz only
 480 Volts³ 480 @ 60Hz only

Option Codes
 (stamped on separate field of data plate)
 T1 Thermostat, Bi-metal (BTX1-E-A)
 T2 Thermostat, Electronic (XET1-1-E-A)
 D2⁴ Disconnect switch, 20A
 D4⁴ Disconnect switch, 40A
 F Continuous fan
 H1 Heresite Core
 H2 Heresite Cabinet
 H3 Heresite Core/Cabinet

Control Voltage
 B 24VAC

Frequency
 50 50Hz
 60 60Hz

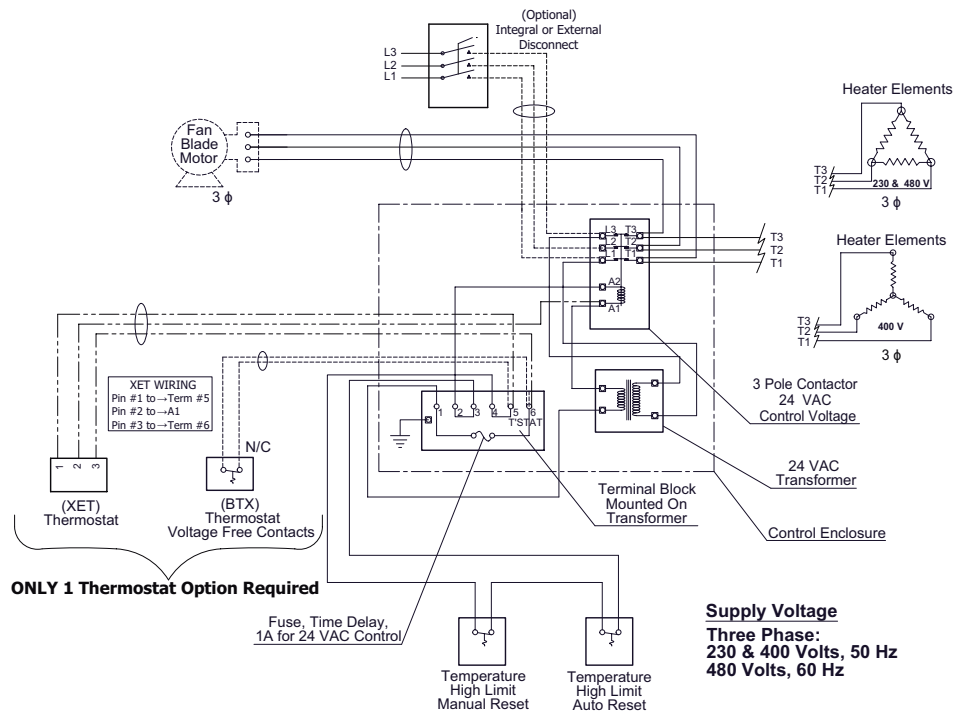
Phase
 3 3 Phase

Includes louvers and fan (repeated for H1, H2, H3)

1 Line voltage is 230VAC +/- 5% @ 50Hz.
 2 Line voltage is 400VAC +/- 5% @ 50Hz.
 3 Line voltage is 480VAC Max @ 60Hz. Motor has a rated voltage of 460VAC +/- 5%.
 4 Built-in disconnect switch is shipped with a prebuilt gland / cable assembly that must be installed and inspected on site.



Wiring Diagram for Standard Fan Operation



Wiring Diagram for Continuous Fan Operation

