



Designed In
Canada!

TWISTER CENTRALIZERS



Using Canadian technology we are proud to offer our Canadian Designed Twister Centralizers.

Features:

- Reduces wear on tubing in deviated wells & operating costs for progressing cavity pump wells
- 4340 Heat-Treated Stress-Relieved Mandrel with Rolled Threads
- Field Replaceable Nylon Rotor
- Rotor Interchangeable Between 1" and 1-1/8" couplings

Coupling Dimensional Info

Pin (in.)	Tubing (in.)	Part	Rotor D (in.)	Flow A (sq. in.)		Note
				Min (1)	Max (2)	
3/4	2-3/8"	3/4 x 2-3/8	1.85	0.39	0.92	(3)
7/8	2-7/8"	7/8 x 2-7/8	2.27	0.81	1.25	(4)
	3-1/2"	7/8 x 3-1/2	2.79	1.42	2.11	(5)
1	2-7/8"	1 x 2-7/8	2.27	0.81	1.25	(4)
	3-1/2"	1 x 3-1/2	2.79	1.42	2.11	(5)
	4-1/2"	1 x 4-1/2	3.21	2.94	6.99	(5)
1-1/8	3-1/2"	1-1/8 x 3-1/2	2.79	1.42	2.11	(6)
	4-1/2"	1-1/8 x 4-1/2	3.21	2.94	6.99	(6)

Notes:

- 1.) Based on heaviest allowable tubing as per API 5CT, unless specified otherwise
- 2.) Based on lightest tubing as per API 5CT
- 3.) 1.867 Min. Tubing ID

- 4.) 2.323 Min. Tubing ID
- 5.) 2.922 Min. Tubing ID
- 6.) Ships with 1-1/8 Couplings

www.canamservices.com

245, 6025-12th Street SE, Calgary, AB, Canada T2H 2K1

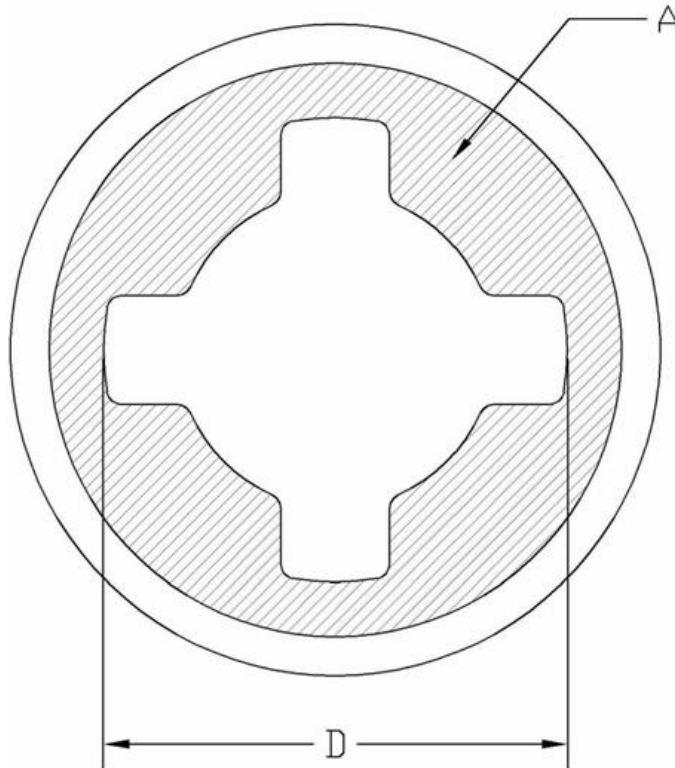
E-mail: canam@canamservices.com

Tel: 1(403) 543-0350, Fax: 1(403) 543-0351



Designed In
Canada!

TWISTER CENTRALIZERS



Material Specification

- Mandrel: 4340 HTSR
- Rotor: Nylon 6, CL200-001 (standard) Other Rotor Materials Available
- Max. Operating Temperature: 104 ° C (Nylon 6)

Ordering Information

1. Specify Pin Size
2. Specify Tubing Size.
3. Max Temperature of the well

www.canamservices.com

245, 6025-12th Street SE, Calgary, AB, Canada T2H 2K1

E-mail: canam@canamservices.com

Tel: 1(403) 543-0350, Fax: 1(403) 543-0351