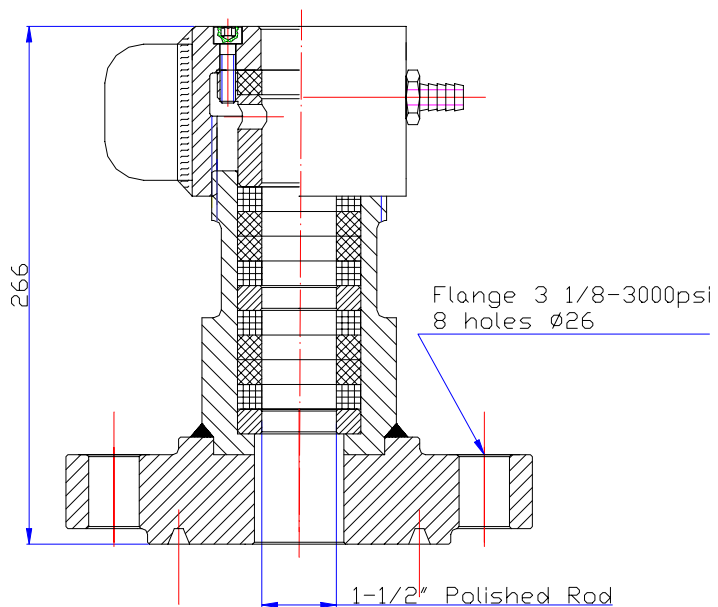


DUAL PACK STUFFING BOX



Features & Benefits:

- Integrated structure
- Dual packing for reliable sealing
- Solid compact design
- Trouble free operation for many applications
- Flanged connections for well installation