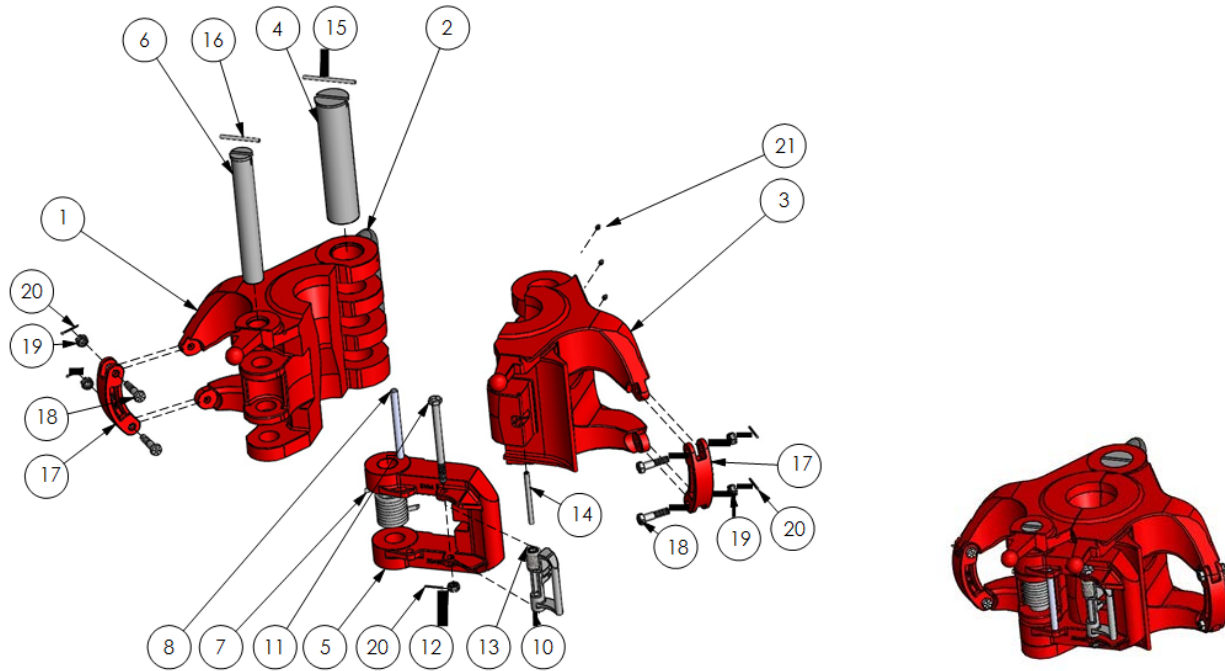


"G" Series Elevators are 18 deg bore elevators used for drill pipe, produced from cast alloy heat treated steel and have a working capacity of 100, 150, 175, 250, 350 and 500 Tons depending on the model.



Ref No.	Description	No. Req.	MG 100T 30157-**	RG150T 30156-**	MGG 175T 13884-**	MGG 250T 35005-**	GG 350T 31068-**	HGG 500T 70013-**
1	BODY	1	30157L	30156L	13884L	35005L	31068L	70013L
2	BODY BACK HANDLE	1						70013LH
3	DOOR	1	30157R	30156R	13884R	35005R	31068R	70013R
4	HINGE PIN	1	26813-2*	23569-1	13888	34908	33998	30553
5	LATCH	1	11763	23543	13151	34906	31071	30460M
6	LATCH PIN	1	26814	23455	13154	34907	33999	30613
7	LATCH SPRING	1	11766	23546	13155	34909	18416	31228
8	LATCH SPRING STOP	1		23548	13185	13185	13185-1	31215
9	LATCH CAM	1	11581					
10	LATCH LOCK	1	11764	13152	13152	13152	13152	13152-1
11	LATCH LOCK PIN	1	11759-1	15101	15101	15101	15101	31138
12	LATCH LOCK BOLT NUT	1		6812C-00-5	6812C-00-5	6812C-00-5	6812C-00-5	6812C-00-5
13	LATCH LOCK SPRING	1		13188	13188	13188	13188	13188
14	DOOR LUG PIN	1	12529	23547	13190	13190	13190	31216
15	HINGE PIN RETAINER	1	40040-28-0	40040-24-0	40050-16-0	40060-36-0	40060-40-0	40060-56-0
16	LATCH PIN RETAINER	1	40040-18-0	40040-22-0	40040-28-0	40040-28-0	40050-32-0	40060-36-0
17	LINK BLOCK	2	26817	9519	9519	9519	9519	30942
18	LINK BLOCK BOLT	4	8145 (2 only)	8145	8145	8145	8145	8145
18A	LINK BLOCK BOLT	2	26817-1					
19	LINK BLOCK NUT	4	6812C-005	6812C-005	6812C-005	6812C-005	6812C-005	6812C-005
20	COTIER PIN	5	30AB0-14-O	30AB0-14-O	30AB0-14-O	30AB0-14-O	30AB0-14-O	30AB0-14-O
21	GREASE FITTING	2	940308-1	940308-1	940308-1	940308-1	940308-1	940308-1

Suite 245, 6025 - 12th Street S.E., Calgary, Alberta, Canada
T2H 2K1 Tel. # (403)-543-0350, Fax. # (403)-543-0351
<mailto:canam@canamservices.com>
www.canamservices.com