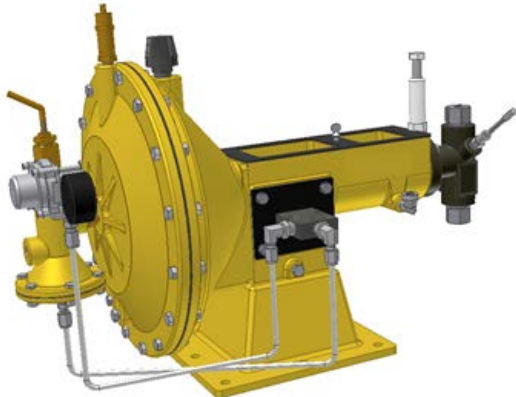


CHEMICAL INJECTION AND DIAPHRAGM PUMPS FOR OIL & GAS PRODUCTION

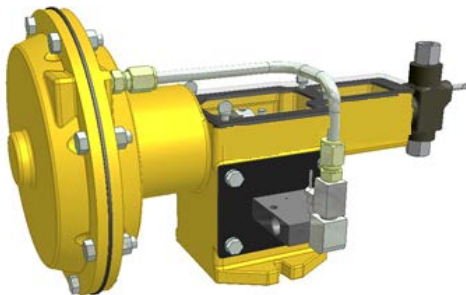


Proudly **Canadian**



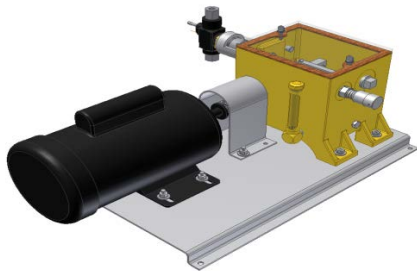
BR5000 SERIES CHEMICAL INJECTOR

- 1/4", 3/8", 1/2", 3/4", 1", 1 1/4" plunger sizes
- high pressure discharge to 12 000 psig
- std. microswitch or rotary pilot valve
- std. clear inspection cover



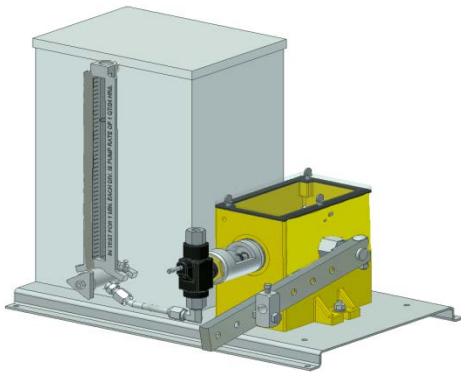
BR5100 SERIES CHEMICAL INJECTOR

- 3/16", 1/4", 3/8", 1/2" plunger sizes
- std. microswitch or rotary pilot valve
- skirted diaphragm plate w/ thick buna diaphragm
- std. clear inspection cover



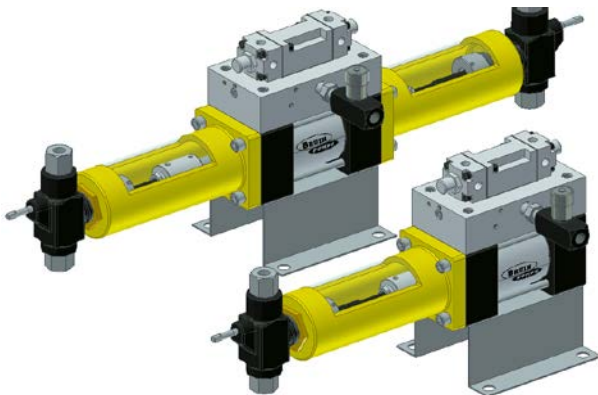
BR4300 SERIES CHEMICAL INJECTOR

- 3/16", 1/4", 3/8", 1/2", 3/4", 1" plunger sizes
- electric and hydraulic drive motors available
- adjustable stroke for wide output volume range
- std. clear inspection cover



BR1200 SERIES CHEMICAL INJECTOR

- 3/16", 1/4", 3/8", 1/2", 3/4", 1" plunger sizes
- ratcheted lever arm designed to be beam driven
- adjustable ratchet engagement and stroke length
- std. clear inspection cover



BRX3 SERIES CHEMICAL INJECTOR

- 3/16", 1/4", 3/8", 1/2" plunger sizes
- environmental gas recovery pump
- low gas consumption + exhaust gas recovery
- compact, lightweight, single or dual head



AIR AND GAS OPERATED DOUBLE DIAPHRAGM PUMP

- air or gas operated double diaphragm pump
- 1/4" thru 4" sizes available
- plastic, aluminum or SS construction
- CSA approval on gas driven pumps



BR1100 SERIES SOLAR POWERED CHEMICAL INJECTOR

- 3/8" plunger size
- output pressure up to 3000 psig
- can be run off battery bank which is charged by solar panels
- all stainless steel components

Suite 245, 6025 – 12th Street, S.E., Calgary, AB T2H 2K1
 Tel. # (403)-543-0350, Fax. # (403)-543-0351
canam@canamservices.com www.canamservices.com