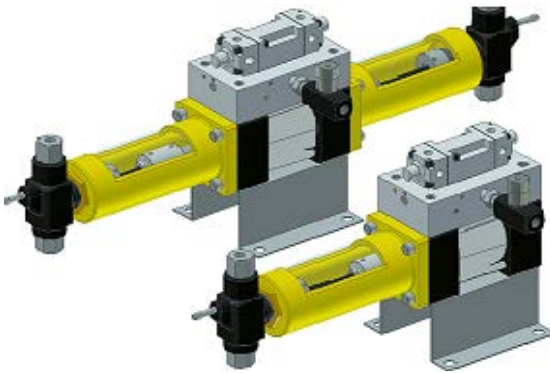


The **BRX3 Chemical Injector Pump** is a double acting, positive displacement plunger type pump. Pump operation is powered with air/gas pressure (250 psig-max.) acting onto a cylinder resulting in plunger displacement. Continuous operation is achieved with an internal switching system which switches the main spool valve when full cylinder stroke (1 inch - max.) is reached in both cylinder stroke directions. The pump is available in both a single or double head configuration and is capable of handling volume output up to 60 imperial gallons per day per head and discharge pressures up to 6000 psig. It is designed for ease of operation and maintenance under varied pumping applications at the field level. Conversion for handling of various chemicals is easily accomplished by the change out of the packing set and fluid end seals. Since the cylinder requires only a differential pressure across the cylinder to operate, the pump is capable of fully operating with a significant back pressure placed onto the exhaust port as long as sufficient differential pressure is present. This allows the pump to exhaust into a point that has a lower pressure than the pump supply pressure (dependent on the differential pressure required to operate the pump at the required discharge pressure) and recover all the exhaust gas used by the pump for further applications or sale.



TECHNICAL SPECIFICATIONS

◆ Air or Gas Driven		
◆ Volume (per head maximum)		60 Imp. Gallons per Day
◆ Pressure	Std.	3000 psig (std. packing)
	Max.	6000 psig (hard packing)
◆ Operating Air or Gas Pressure	Max.	250 psig
	Min.	20 psig (Recommended)
◆ Available Plunger Sizes	Std.	3.16", 1/4", 3/8", 1/2"
◆ Stroke Length		Variable to 1" Maximum
◆ Materials		
◆ Pressure Head Body	Std.	Ductile Iron (Stainless Steel on 3/16" size)
	Opt.	Stainless Steel
◆ Internal Wetted Component	Std.	Stainless Steel
◆ Packing - V Style	Std.	Buna
	Opt.	Buna-Hard, Viton, Teflon, Fluorosilicone
◆ Seals - O-Rings	Std.	Fluorosilicone
	Opt.	Buna, Viton, Teflon, Metal-to-Metal
◆ Cylinder	Std.	Anodized aluminum with SS rod(s)
	Opt.	Consult factory for SS cylinder options
	Seals	Buna

Suite 245, 6025 - 12th Street S.E., Calgary, Alberta, Canada T2H 2K1

Tel. # (403)-543-0350, Fax. # (403)-543-0351

canam@canamservices.com

www.canamservices.com