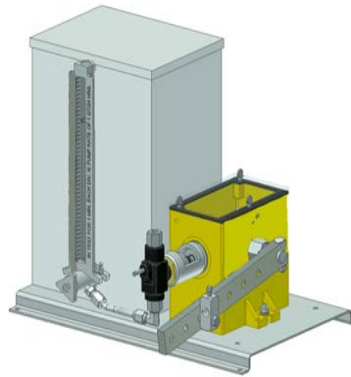


The BR1200 Chemical Injector Pump is a beam driven, positive displacement, plunger type pump that was designed specifically for operation on a beam pumped well. The BR1200 series chemical injector pumps are powered by direct connection to the movement of a walking beam, rod line, or rocker arm. The connection can be made by a length of nominal pipe or wire line. The unit pumps on the upstroke of the beam action and returns to its set position on the down stroke. Available in single or double head configurations with 6 standard plunger sizes, 3 plunger length settings and a ratchet mechanism with an adjustable engagement of 1 to 20 teeth providing a versatile volume output up to 13.4 imperial gallons per day with discharge pressures up to 3000 psig. It is designed for ease of operation and maintenance under varied pumping applications at the field level. Conversion for handling of various chemicals is easily accomplished by the change out of the packing set and fluid end seals.



TECHNICAL SPECIFICATIONS

- ◆ Beam Driven
- ◆ Volume (maximum) 128 US Pints (60.6 liters) per Day per Head
- ◆ Number of Heads Single or Double Head
- ◆ Pressure Max. 3000 psig
- ◆ Available Plunger Sizes Std. 3/16", 1/4", 3/8", 1/2", 3/4", 1"
- ◆ Stroke Length Short, Medium or Long Stroke Adjustment
- ◆ Materials
 - ◆ Pressure Head Body Std. Ductile Iron (Stainless Steel on 3/16" size)
Opt. Stainless Steel in 3/16", 1/4", 3/8", 1/2"
 - ◆ Internal Wetted Components Std. Stainless Steel
 - ◆ Packing - V Style Std. Buna
Opt. Buna-Hard, Viton, Teflon, Fluorosilicone
 - ◆ Seals - O-Rings Std. Fluorosilicone
Opt. Buna, Viton, Teflon, Metal-toMetal
- ◆ Clear acrylic lid for easy inspection of pump internals

Suite 245, 6025 - 12th Street S.E., Calgary, Alberta, Canada T2H 2K1

Tel. # (403)-543-0350, Fax. # (403)-543-0351

canam@canamservices.com

www.canamservices.com

