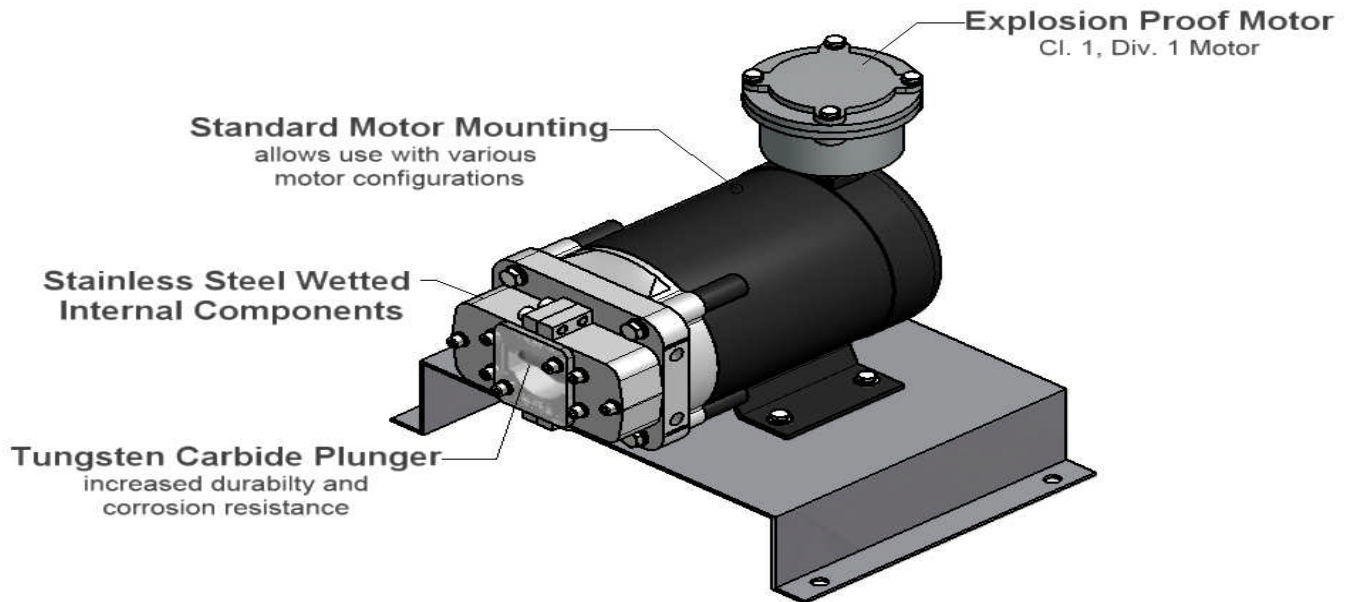




BR1100 Solar Powered Chemical Injection Pump

 Proudly Canadian

The **BR1100 Chemical Injector Pump** is a rotary cam driven, positive displacement plunger type pump that utilizes a rotary electric power source. Capable of operation with an electronic control system that turns the pump on for a specified amount of time, the pump can handle a wide variety of output volumes from less than 1 liter to 100 gallons per day and discharge pressures up to 3000 psig. The pump, fitted with a DC motor can be powered with a battery bank, charged by solar panels.

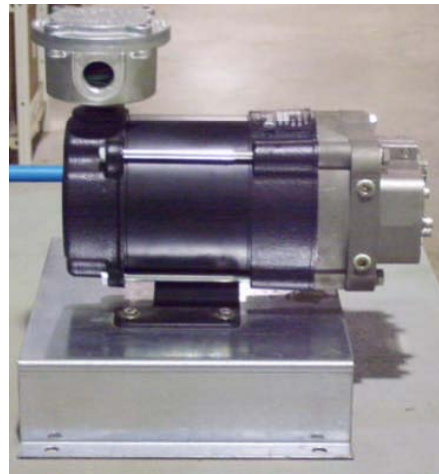


TECHNICAL SPECIFICATIONS:

- Solar Powered
- Volume (maximum) 100 gallons per day
- Pressure (maximum) 3000 psig
- Plunger Size 3/8"
- Motor 12V 1/8 HP, 14 amp, explosion proof
- Outputs Std. Connected 1/4" NPT suction and discharge ports
Opt. Separated ports
- Materials
 - Head Stainless Steel
 - Wetted Components Stainless Steel
 - Plunger Tungsten Carbide
 - Plunger Seal Graphite Fiber Reinforced
 - O-ring Seal Buna, Aflas, Viton, Teflon, Fluorosilicone, Kalrez

SOLAR SYSTEM DESCRIPTION:

- The solar power system is designed to provide reliable, environmentally friendly operation for the BR1100 pump.
- The system components include solar panel(s), battery(s), photovoltaic charger, and electronics controller.
- The standard pump package includes a 12V TENV explosion proof motor rated for Class 1 Div 1, and an electronics control panel and enclosure rated for Class 1 Div 2. For clarification on the area classifications, please contact the factory.



Suite 245, 6025 - 12th Street S.E., Calgary, Alberta, Canada T2H 2K1

Tel. # (403)-543-0350, Fax. # (403)-543-0351

canam@canamservices.com

www.canamservices.com